

# Price List 2010

Drainage and  
Sewerage

UK Resellers Price List  
WILO (U.K.) Ltd



Effective from 1st January 2010



# Price Groups and Supply Availability

## Price Groups Code

Price Group WH	Price Group W0	Price Group W1	Price Group W2
<b>High-efficiency pumps</b>  Stratos PICO, Stratos, Stratos-D, Stratos ECO, Stratos ECO-ST	<b>Small domestic circulators</b>  All Star-series pumps Star-E, Star-EL, Star-ZE, Star-RS, Star-RSD, Star-AC, Star-ST, Star Control STE, Star-Z 15 to Z 25/6, Star-Z 15C Smart-A, Smart-B	<b>Electronically controlled heating pumps</b>  TOP-E, TOP-EV, TOP-ED Exchange motors for TOP-E, -EV, and -ED	<b>Standard screwed- and flange-ended pumps</b>  TOP-S, TOP-SV, TOP-SD, TOP-D, TOP-Z, TOP-ZV, RP, P, DOP, SE/SB Exchange motors for above listed pumps

Price Group W3	Price Group W4	Price Group W5	Price Group W6
<b>Auto control gear, accessories</b> TOP-Control, AS-, CR-System, Plug-in modules, overload protection, union connectors, fittings, capacitors, Wilo-Safe, Inverters	<b>Glanded Pumps</b> Electronically controlled pumps IP-E, DP-E, IL-E, DL-E AC-Refrig. services pumps BAC, Inline pumps IP., IL, Twin head pumps DP., DL, Bloc end-suction pumps Bn, BL, Norm end-suction pumps NL, High temp - IPH	<b>Water supply, drainage pumps and plant</b>  Rain water utilisation, domestic water supply sets, high pressure centrifugal pumps, TWU bore hole pumps, accessories - e.g. switchgear, low water limit protection, etc. TMT/TMC 30 submersible pumps, FH/D-FH 80-2.5 (3.0) and XXL packaged sewage pump sets, LP, CP, MTS, TP, TS and TC 80 drainage / waste water pumps, FBS filter bloc pumps,	<b>Stock articles, sanitary engineering products</b>  AF 22 rain water utilisation set, Water supply: WJ, HWJ, FWJ, TWU 5" deep well pumps, Fluidcontrol, TMW/TM 30 submersible pumps, TMH, TMP and KH 32-0.4 packaged drainage pump sets, DrainLift S and FHn/D-FH 80-0.7 packaged sewage pump sets, VC

Price Group W7	Price Group W8	Price Group W9
<b>Sanitary Engineering</b> Packaged pressure booster pressurisation units	Plastic moulded sump pump stations	<b>Service</b> Spare parts, service, motor assemblies for mechanical sealed pumps

### Delivery code

- L = Available ex-stock UK†
- U = Available ex-stock Continent, available for delivery within approximately 2 to 3 weeks.†
- K = Components ex-stock UK, manufacture to order within 2 - 3 days. †
- C = Components ex-stock Continent, manufacture to order for delivery within approx. 4 weeks. †
- A = Delivery time on request

All prices not including V.A.T.

### For Terms and Conditions - see back page

- Carriage is paid on all orders using our standard delivery service.
- All overnight carriage is at extra cost.
- On certain package booster sets and pumping stations, carriage will be at extra cost
- Carriage is to the delivery address, off loading is the customers responsibility, vehicles with tail lift, crane, etc. can be organised at extra cost. Prior notice of this is required.  
*Please contact our technical team for information.*

● All orders under the value of £150.00 will be subject to a £15.00 carriage charge

† Please note that ex-stock is subject to prior sales. Confirmation of delivery lead times should be sought at the time of order. Lead times are to despatch. Standard carrier is normally 2 to 3 days. Overnight carriage is available at extra cost.

# Pumps and Associated Equipment

for drainage and sewerage



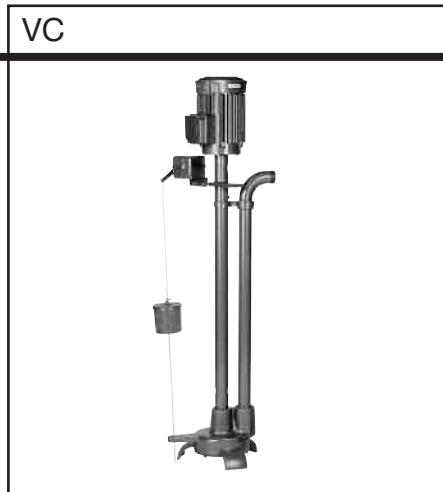
## Contents

	Page
Price Groups, Supply Availability and Technical Data	2
<b>Drainage and Sewerage</b>	
<b>Wilo-Drain submersible sump pumps</b>	
TM/TMW 25/6, 32 'Twister' and accessories, VC	4
TS 40 to TS 65 and accessories	5
Wilo-Drain, LP40	6
STS 40, 65	7 - 9
<b>Wilo-Drain submersible waste water and sewage pumps</b>	
MTS 40 and accessories	10 - 11
TP 50 to TP 65 and accessories	12 - 15
Wilo-EMU KS, Wilo-EMU FA 8/10 and accessories	16 - 19
<b>Lifting Units: Wilo-DrainLift Con, Box, TMP, KH</b>	20
<b>Packaged sewage pump sets: Wilo-DrainLift S, M, L, XL, XXL and accessories</b>	21 - 24
<b>Prefabricated sump pump sets: Wilo-DrainLift WS 40-50, WS 625, WS (plastic)</b>	25 - 27
Electrical Accessories for pumps and lifting units	28-30
<b>Wilo Pump Station Questionnaire</b>	31

WILO pursues a policy of continual improvement in design and performance of its products and therefore reserves the right to alter specifications and designs without prior notice and without incurring obligations.

# Drainage Pumps

## Wilo submersible pumps



Price Group: W6

Basement drainage pump with optional level switching, thermal overload protection, carrying handle and power cable with shockproof plug.

### Applications:

Pumping of clear or slightly soiled water from tanks, shafts or pits.

- **Self-cleaning pump shaft due to patented, integrated turbulator (TMW)**
- **Free-flow hydraulics (not susceptible to plugging)**
- **Prevents odour build-ups from fluids**
- **Easy to install**
- **High level of operating safety**
- **Simple to use**
- **Suitable of handling aggressive fluids (HD design option)**

### Wilo-Drain TMW for drainage water

Type Wilo-Drain	Motor power rating P <sub>2</sub> (kW)	Article No.	£	Delivery Code
<b>TMW 32/8</b>	0.37	2043828	<b>218.00</b>	<b>L</b>
<b>TMW 32/11</b>	0.55	2043829	<b>236.00</b>	<b>L</b>
<b>TMW 32/11 HD**</b>	0.55	4048715	<b>311.00</b>	<b>L</b>

\*) 10 m motor cable, without level control

\*\*) 10 m cable with plug

Price Group: W6

### Mechanical accessories

Type	Description	Article No.	£	Del. Code
<b>Check valve - TMW</b>	Plastic 1 1/4"	501 533 696	<b>48.00</b>	<b>L</b>
<b>Hose tail - TMW</b>	Plastic 1 1/4"	2816659	<b>6.00</b>	<b>L</b>

Price Group: W6

Vertical Sump pump capable of handling water up to 100°C.

### VC range - Submersible pumps

Type	Weight (Kg)	Article No.	£	Delivery Code
<b>VC 32/10 - 1ph</b>	36	2044582	<b>1121.00</b>	<b>L</b>
<b>VC 32/10 - 3ph</b>	36	2044583	<b>1050.00</b>	<b>L</b>
<b>VC 40/20 - 3ph</b>	75	2044584	<b>1488.00</b>	<b>L</b>

### Delivery code

L = Available ex-stock UK†

U = Available ex-stock Continent, available for delivery within approximately 2 to 3 weeks.†

K = Components ex-stock UK, manufacture to order within 2 - 3 days. †

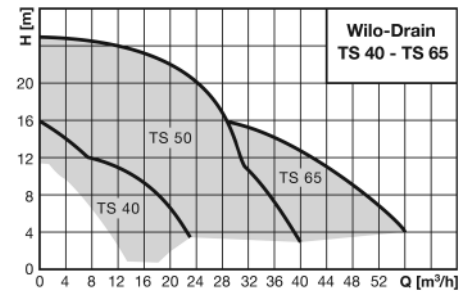
C = Components ex-stock Continent, manufacture to order for delivery within approx. 4 weeks. †

A = Delivery time on request

All prices not including V.A.T.

# Submersible Sump Pumps

Wilo-Drain



Price Group: W6

Wastewater submersible motor pump including power cable with shockproof plug and built-in float switch. TS 50 (3~400 V) and TS 65 with explosion protection as standard. Version "A" with built-in float switch and power cable with plug. Pumps without explosion protection.

**Applications:**

- Pumping of wastewater containing solid matter of Ø 10 mm max. in
- building and surface draining
- environmental and wastewater treatment technology
- industrial and process engineering

- **Inox & Composite**
- **Detachable power cable**
- **Wide range of power levels**
- **Internal capacitor (TS 40 only)**
- **Thermal motor monitoring, residual current monitoring for 3~ pumps, also without switchgear (TS 40 only)**

**Wilo-Drain TS 40, TS 50, TS 65**

Type Wilo-Drain	Single phase motor 1~ 230 V, 50 Hz			Three phase motor 3~ 400 V, 50 Hz		
	Article No.	£	Del. Code	Article No.	£	Del. Code
<b>TS 40/10</b>	2063928	<b>487.00</b>	L	2063927	<b>477.00</b>	L
<b>TS 40/10-A</b>	2063926	<b>556.00</b>	L	6042443	<b>539.00</b>	-
<b>TS 40/14</b>	2063931	<b>518.00</b>	L	2063930	<b>505.00</b>	L
<b>TS 40/14-A</b>	2063929	<b>598.00</b>	L	6042444	<b>580.00</b>	-
<b>TS 50 H 111/11</b>	4025037	<b>791.00</b>	L	4025036	<b>792.00</b>	L
<b>TS 50 H 111/11 A</b>	4029477	<b>839.00</b>	L	4029553	<b>1083.00</b>	L
<b>TS 50 H 122/15</b>	-	-	-	4025039	<b>1150.00</b>	L
<b>TS 50 H 133/22</b>	-	-	-	4025042	<b>1186.00</b>	L
<b>TS 65 H 117/22</b>	-	-	-	4025059	<b>1195.00</b>	L

**Switchgears, trigger devices, alarm switchgears**

**Basic switchgears and accessories**

Type	Description	Article No.	£	Del. Code	
<b>DrainControl PL 1-WS (1~)</b>	Single pump switchgear for control of of 1 submersible motor pump with float switches (not included)	2525428	<b>782.00</b>	L	
<b>DrainControl PL 1-WS (3~)</b>	Single pump switchgear with main switch, for connection without neutral conductor, for control of 1 submersible motor pump with float switches (not included)	2525429	<b>782.00</b>	L	
<b>DrainControl PL 2-WS (1~)</b>	Dual pump switchgear for control of of 2 submersible motor pumps with float switches (not included)	2525430	<b>1170.00</b>	L	
<b>DrainControl PL 2-WS (3~)</b>	Dual pump switchgear with main switch, for connection without neutral conductor, for control of 2 submersible motor pumps with float switches. (not included)	2525431	<b>1170.00</b>	L	
<b>Kiosk</b>	Weatherproof	2815534	<b>1204.00</b>	L	
<b>Battery Operated High Level Alarm</b>	Battery operated high level alarm*	2815535	<b>203.00</b>	L	
<b>Float Switch</b>	Double action (ATEX)	10 m cable	2815560	<b>94.00</b>	L
		20 m cable	2815561	<b>123.00</b>	L
		30 m cable	2815562	<b>132.00</b>	L
<b>Float Switch WA65</b>	Up ON/Down OFF	10 m cable	503211390	<b>53.00</b>	L
		20 m cable	503211893	<b>79.00</b>	L
		30 m cable	2004431	<b>118.00</b>	L

\* Requires a float switch

# Drainage

## Wilo-Drain

Wilo-Drain for hot water



Submersible pump suitable of handling hot water up to 95 °C and aggressive fluids. Pump with carrying handle and 5 m bare-end motor cable.

- High temperature resistance
- For aggressive fluids

Self-priming pump suitable for handling waste water

- Transportable with handle
- Integrated motor protection

Wilo-LP 40



Price Group: W5

### Wilo-Drain for hot water up to 95°C and aggressive fluids

Type Wilo-Drain ...	Motor power rating P <sub>2</sub> (kW)	Article No.	£	Del.Code
<b>TMT 30-0.5 DM GG</b>	0.55	120 549 093	<b>2110.00</b>	<b>U</b>
<b>TMC 30-0.5 DM Bronze</b>	0.55	120 549 299	<b>3558.00</b>	<b>U</b>
<b>TMC 30-0.7 DM Niro</b>	0.75	120 654 899	<b>9944.00</b>	<b>U</b>

Price Group: W5

### Wilo-LP

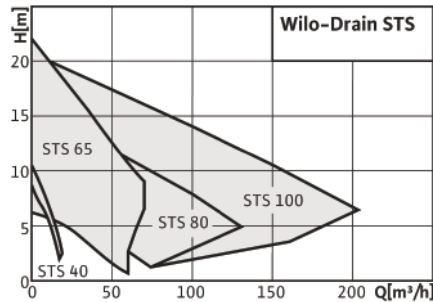
Type Wilo-Drain ...	Motor power rating P <sub>2</sub> (kW)	Article No. 1 ~ 230 V, 50 Hz	£	Del.Code
<b>LP 40/11</b>	0.4	2047645	<b>156.00</b>	<b>U</b>

# Submersible Sump Pumps

Wilo-Drain



## Wilo-Drain STS 40



Price Group: W6

### Product description

Wastewater and sewage submersible motor pump incl. connection cable, float switch (-A) and shockproof plug (1~230 V). Robust design due to stainless steel motor, stainless steel free-flow impeller and cast iron hydraulics.

### Applications:

Pumping of clear or soiled water with solid matter content from tanks, shafts or pits. Please note the country-specific preamble to EN 12050 and EN 12056.

### Product advantages

- High level of operating safety due to large free ball passage (40 mm)
- Switchgear not required for thermal fuse protection of (3~) alternating current motor as already internally self-fusing
- Service- and maintenance-friendly
- Detachable power cable
- Detachable float switch

### Wilo-Drain STS 40

Type Wilo-Drain...	Cable length [m]	Alternating current 1~230 V, 50 Hz			Three-phase current 3~400 V, 50 Hz		
		Article No.	£	Del. Code	Article No.	£	Del Code
<b>STS 40/8</b>	10	2065866	<b>423.00</b>	L	2065870	<b>404.00</b>	L
<b>STS 40/8A</b>	10	2065868	<b>434.00</b>	L	—	—	L
<b>STS 40/10</b>	5	2065871	<b>419.00</b>	L	2065875	<b>409.00</b>	L
<b>STS 40/10A</b>	10	2065874	<b>462.00</b>	L	—	—	L

### Delivery code

L = Available ex-stock UK†  
 U = Available ex-stock Continent, available for delivery within approximately 2 to 3 weeks.†  
 K = Components ex-stock UK, manufacture to order within 2 - 3 days. †  
 C = Components ex-stock Continent, manufacture to order for delivery within approx. 4 weeks. †  
 A = Delivery time on request

All prices not including V.A.T.

# Submersible Sump Pumps

## Wilo-Drain

### Wilo-Drain STS 65



Price Group: W6

### Wilo-Drain STS 65

Type Wilo-Drain...	Cable length [m]	Alternating current 1~230 V, 50 Hz			Three-phase current 3~400 V, 50 Hz		
		Article No.	£	Del. Code	Article No.	£	Del Code
<b>STS 65/6</b>	10	2081900	<b>858.00</b>	L	2081901	<b>836.00</b>	L
<b>STS 65/10</b>	10	2081902	<b>909.00</b>	L	2081903	<b>893.00</b>	L
<b>STS 65/14</b>	10	–	–	L	2081904	<b>1125.00</b>	L
<b>STS 65/18</b>	10	–	–	L	2081905	<b>1185.00</b>	L
<b>STS 65/22</b>	10	–	–	L	2081906	<b>1222.00</b>	L

Explosion-protected version as per ATEX available on request  
Integrated cooling available on request

Price Group: W6

### Product description

Wastewater and sewage submersible pump includes connection cable. STS 65 F includes longitudinal watertight connection cable.

Robust design due to stainless steel motor and cast iron hydraulics with free-flow impeller.

Version with motor-side shaft seal and fluid-side bi-directional mechanical seal.

STS 65 F, version with 2 bi-directional mechanical seals.

### Applications:

Pumping of clear or soiled water / sewage water containing solid matter from tanks, shafts or pits.

### Product advantages

- **High level of operating safety due to large free ball passage (65 mm)**
- **Plug-in connection cable**
- **Stainless steel motor**
- **Double mechanical seal with oil chamber (STS 65 F)**
- **Longitudinal watertight power connection cable (STS 65 F)**
- **Explosion-protected as standard (STS 65 F)**

### Delivery code

- L = Available ex-stock UK†  
U = Available ex-stock Continent, available for delivery within approximately 2 to 3 weeks.†  
K = Components ex-stock UK, manufacture to order within 2 - 3 days. †  
C = Components ex-stock Continent, manufacture to order for delivery within approx. 4 weeks. †  
A = Delivery time on request

All prices not including V.A.T.

### Wilo-Drain STS 65

Type Wilo-Drain...	Cable length [m]	Alternating current 1~230 V, 50 Hz			Three-phase current 3~400 V, 50 Hz		
		Article No.	£	Del. Code	Article No.	£	Del Code
<b>STS 65F 6.60/13</b>	10	–	–	L	2081907	<b>899.00</b>	L
<b>STS 65F 10.60/15</b>	10	–	–	L	2081908	<b>1185.00</b>	L
<b>STS 65F 14.60/25</b>	10	–	–	L	2081909	<b>1234.00</b>	L
<b>STS 65F 18.65/35</b>	10	–	–	L	2081910	<b>1284.00</b>	L
<b>STS 65F 22.70/40</b>	10	–	–	L	2081911	<b>1333.00</b>	L

Integrated cooling available on request

### Switchgears, trigger devices, alarm switchgears

#### Basic switchgears and accessories

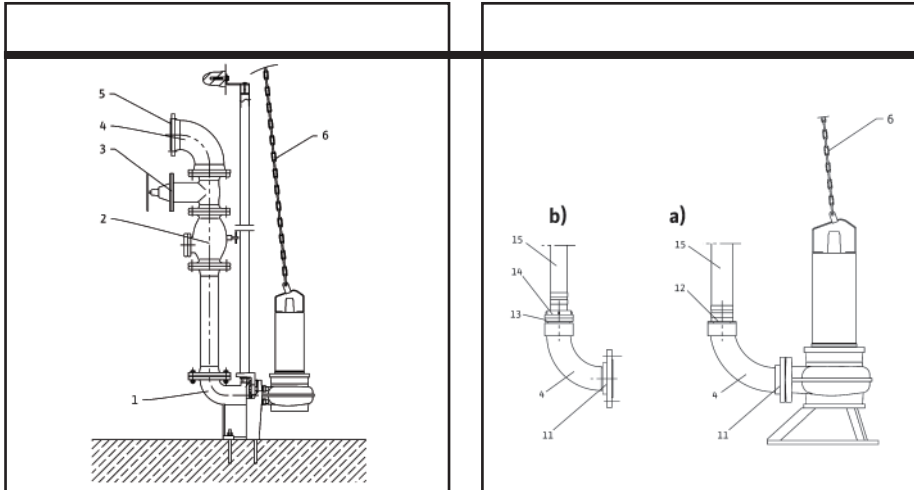
Type	Description	Article No.	£	Del. Code	
<b>DrainControl PL 1-WS (1~)</b>	Single pump switchgear for control of of 1 submersible motor pump with float switches (not included)	2525428	<b>782.00</b>	L	
<b>DrainControl PL 1-WS (3~)</b>	Single pump switchgear with main switch, for connection without neutral conductor, for control of 1 submersible motor pump with float switches (not included)	2525429	<b>782.00</b>	L	
<b>DrainControl PL 2-WS (1~)</b>	Dual pump switchgear for control of of 2 submersible motor pumps with float switches (not included)	2525430	<b>1170.00</b>	L	
<b>DrainControl PL 2-WS (3~)</b>	Dual pump switchgear with main switch, for connection without neutral conductor, for control of 2 submersible motor pumps with float switches. (not included)	2525431	<b>1170.00</b>	L	
<b>Kiosk</b>	Weatherproof	2815534	<b>1204.00</b>	L	
<b>Battery Operated High Level Alarm</b>	Battery operated high level alarm*	2815535	<b>203.00</b>	L	
<b>Float Switch</b>	Double action (ATEX)	10 m cable	2815560	<b>94.00</b>	L
		20 m cable	2815561	<b>123.00</b>	L
		30 m cable	2815562	<b>132.00</b>	L
<b>Float Switch WA65</b>	Up ON/Down OFF	10 m cable	503211390	<b>53.00</b>	L
		20 m cable	503211893	<b>79.00</b>	L
		30 m cable	2004431	<b>118.00</b>	L

\* Requires a float switch



# Submersible Sump Pumps

Mechanical accessories for Wilo-Drain STS 65



Price Group: W6

## 1) Stationary wet sump installation - Wilo-Drain STS 65

Type	Description	Article No.	£	Del. Code
<b>1 Suspension Device</b>	Cast iron GG 25 (EN-GJL-250), incl. pump support, profile seal, accessories for installation and ground attachment and guide pipe bracket. Pressure-side connection DN 65/80. Double pipe guide 1 1/4" needs to be provided on site	DN 65/80 4016096	<b>348.00</b>	<b>L</b>
<b>2 Non-return valve</b>	Cast iron GG 25 (EN-GJL-250), according to DIN EN 12050-4 with 1 installation accessories kit, flange	DN 65 2017167 DN 80 2017168	<b>309.00</b> <b>420.00</b>	<b>L</b> <b>L</b>
<b>3 Gate valve</b>	Cast iron GG 25 (EN-GJL-250), with 1 installation accessories kit, flange	DN 65 2017161 DN 80 2017162	<b>168.00</b> <b>254.00</b>	<b>L</b> <b>L</b>
<b>4 Pipe bend</b>	Cast iron GG 25 (EN-GJS 400-15), with 1 installation accessories kit, flange	DN 65 2017183 DN 80 2012064	<b>157.00</b> <b>178.00</b>	<b>L</b> <b>L</b>
<b>Y-piece</b>	St 37, galvanised, with 2 installation accessories kits. Connection Flange PN 10/16 as per DIN 2501	DN 65/65/65 2017178 DN 80/80/80 2017179	<b>549.00</b> <b>680.00</b>	<b>L</b> <b>L</b>
<b>5 Installation accessories</b>	For a flange/flange connection, with screws, nuts and flat gasket	DN 65 2012068 DN 80 2012067	<b>22.00</b> <b>19.00</b>	<b>L</b> <b>L</b>
<b>6 Chain</b>	Steel, galvanised, incl. stainless steel shackles. Lifting capacity 250 kg	5 m 4027340	<b>48.00</b>	<b>L</b>

Price Group: W6

## 2a) Portable wet sump installation - Wilo-Drain STS 65 with hose connection

Type	Description	Article No.	£	Del. Code
<b>4 Pipe bend</b>	Steel, galvanised with female/male thread	R 2 1/2/G 2 1/2 4015212	<b>75.00</b>	<b>L</b>
<b>6 Chain</b>	Steel, galvanised, incl. stainless steel shackles. Lifting capacity 250 kg	5 m 4027340	<b>48.00</b>	<b>L</b>
<b>9 Floor mounting base</b>	Painted steel and fixing material	6022685	<b>260.00</b>	<b>L</b>
<b>11 Mating flange</b>	Steel, galvanised, incl. installation accessories DN 65 on Rp 2 1/2 female thread	4015204	<b>86.00</b>	<b>L</b>
<b>12 Hose connection</b>	Hose nozzle, MS, Ø 70 mm incl. hose clip, male thread	G 2 1/2 4015210	<b>55.00</b>	<b>L</b>
<b>Pipe bend</b>	Cast iron GG 25 (EN-GJS 400-15) hose nozzle Ø 70 mm, pump-side flange	DN 65 4027346	<b>55.00</b>	<b>L</b>
<b>15 Pressure hose</b>	Synthetics, PN 8, without couplings for connection Ø 70 mm	10 m 2014151	<b>55.00</b>	<b>L</b>

Price Group: W6

## 2b) Portable wet sump installation - Wilo-Drain STS 65 with hose connection

Type	Description	Article No.	£	Del. Code
<b>4 Pipe bend</b>	Steel, galvanised with female/male thread	R 2 1/2/G 2 1/2 4015212	<b>75.00</b>	<b>L</b>
<b>6 Chain</b>	Steel, galvanised, incl. stainless steel shackles. Lifting capacity 250 kg	5 m 4027340	<b>48.00</b>	<b>L</b>
<b>9 Floor mounting base</b>	Painted steel and fixing material	6022685	<b>260.00</b>	<b>L</b>
<b>11 Mating flange</b>	Steel, galvanised, incl. installation accessories DN 65 on Rp 2 1/2 female thread	4015204	<b>86.00</b>	<b>L</b>
<b>13 Storz solid coupling</b>	Aluminium, 52-C with male thread 2 1/2	2015234	<b>21.00</b>	<b>L</b>
<b>14 Storz solid coupling</b>	Aluminium, 52-C for hose interior Ø 52 mm, incl. hose clamp with male thread 2 1/2	2015235	<b>21.00</b>	<b>L</b>
<b>15 Pressure hose</b>	Synthetics, PN 8, hose interior Ø 52 mm, incl. hose clamp	10 m 2017192	<b>132.00</b>	<b>L</b>

# Submersible Sump Pumps with Macerator

Wilo-Drain



**NEW  
EXTENDED  
RANGE**

## Product description

Sewage submersible motor pump with macerator

## Applications:

Pumping domestic sewage containing faeces from single objects. The patented macerator chops solid components up into a fluid that can be easily pumped.

## Product advantages

- Resistant to blocking
- Internal cutter allows drawing cutting action
- Stainless steel motor
- High level of operating safety
- Patented macerator

**Lump sum price for commissioning and functions tests on request.**

## Delivery code

- L = Available ex-stock UK†  
 U = Available ex-stock Continent, available for delivery within approximately 2 to 3 weeks.†  
 K = Components ex-stock UK, manufacture to order within 2 - 3 days. †  
 C = Components ex-stock Continent, manufacture to order for delivery within approx. 4 weeks. †  
 A = Delivery time on request

All prices not including V.A.T.

Price Group: W6

## Wilo-Drain MTS 40

Type Wilo-Drain...	Alternating current 1~230 V, 50 Hz			Three-phase current 3~400 V, 50 Hz		
	Article No.	£	Del. Code	Article No.	£	Del Code
<b>MTS 40/21</b>	2060174	<b>1221.00</b>	L	2060176	<b>1194.00</b>	L
<b>MTS 40/24</b>	2060170	<b>1345.00</b>	L	2060175	<b>1321.00</b>	L
<b>MTS 40/27</b>	2053831	<b>1362.00</b>	L	2056253	<b>1329.00</b>	L
<b>MTS 40/31</b>	-	-	L	6046761	<b>1538.00</b>	L
<b>MTS 40/35</b>	-	-	L	6046760	<b>1693.00</b>	L
<b>MTS 40/39</b>	-	-	L	6045558	<b>1912.00</b>	L

## Switchgears, trigger devices, alarm switchgears

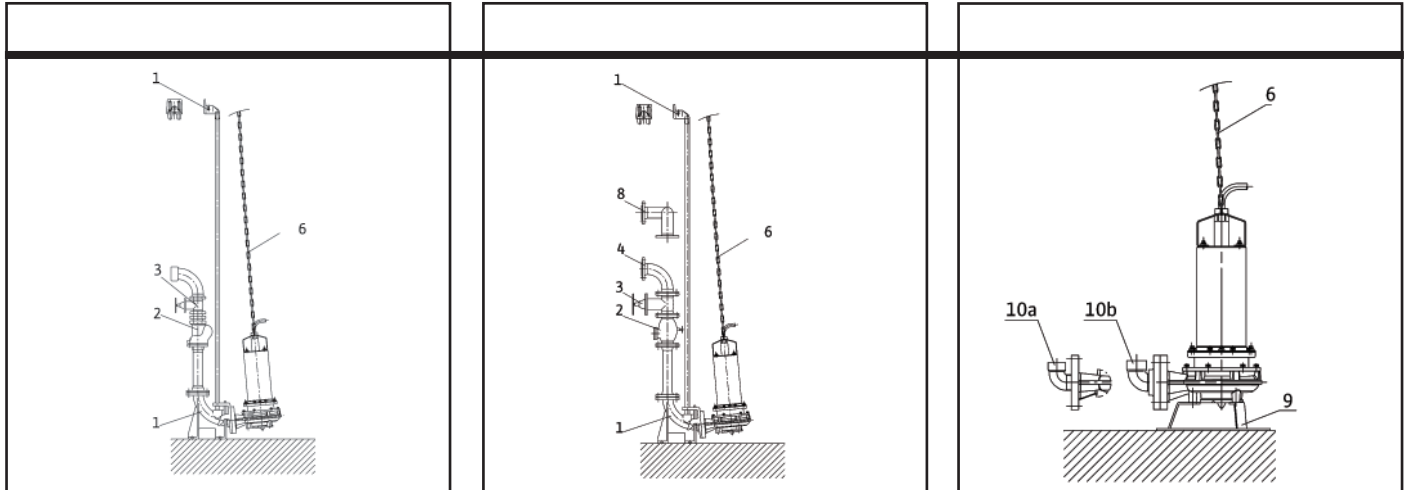
### Basic switchgears and accessories

Type	Description	Article No.	£	Del. Code	
<b>DrainControl PL 1-WS (1~)</b>	Single pump switchgear for control of of 1 submersible motor pump with float switches (not included)	2525428	<b>782.00</b>	L	
<b>DrainControl PL 1-WS (3~)</b>	Single pump switchgear with main switch, for connection without neutral conductor, for control of 1 submersible motor pump with float switches (not included)	2525429	<b>782.00</b>	L	
<b>DrainControl PL 2-WS (1~)</b>	Dual pump switchgear for control of of 2 submersible motor pumps with float switches (not included)	2525430	<b>1170.00</b>	L	
<b>DrainControl PL 2-WS (3~)</b>	Dual pump switchgear with main switch, for connection without neutral conductor, for control of 2 submersible motor pumps with float switches. (not included)	2525431	<b>1170.00</b>	L	
<b>Kiosk</b>	Weatherproof	2815534	<b>1204.00</b>	L	
<b>Battery Operated High Level Alarm</b>	Battery operated high level alarm*	2815535	<b>203.00</b>	L	
<b>Float Switch</b>	Double action (ATEX)	10 m cable	2815560	<b>94.00</b>	L
		20 m cable	2815561	<b>123.00</b>	L
		30 m cable	2815562	<b>132.00</b>	L
<b>Float Switch WA65</b>	Up ON/Down OFF	10 m cable	503211390	<b>53.00</b>	L
		20 m cable	503211893	<b>79.00</b>	L
		30 m cable	2004431	<b>118.00</b>	L

\* Requires a float switch

# Submersible Sump Pumps with Macerator

Mechanical accessories Wilo-Drain MTS 40



Price Group: W5

## 1a) Stationary wet sump installation - DN 40

Type	Description	Article No.	£	Del. Code
<b>1 Base elbow</b>	Cast iron GG 25 (EN-GJL-250), incl. pump support, profile seal, accessories for installation and ground attachment and guide pipe bracket. Pressure-side connection DN 40/50. Double pipe guide R ¾ needs to be provided on site	DN 40/50 2057179	<b>348.00</b>	<b>L</b>
<b>2a Non-return valve</b>	Cast iron GG 25 (EN-GJL-250). Female/female thread R 1½ Connection DN 40	DN 40 4027330	<b>141.00</b>	<b>L</b>
<b>3a Valve</b>	Fitted as sleeve, female/female thread R 1½ PN 16 RG	DN 40 2506469	<b>152.00</b>	<b>L</b>
<b>6 Chain</b>	Made of stainless steel, including shackles. Lifting capacity 400 kg	5 m 4027340	<b>48.00</b>	<b>L</b>

## 1b) Stationary wet sump installation - DN 50

Type	Description	Article No.	£	Del. Code
<b>1 Base elbow</b>	Cast iron GG 25 (EN-GJL-250), incl. pump support, profile seal, accessories for installation and ground attachment and guide pipe bracket. Pressure-side connection DN 40/50. Double pipe guide R ¾ needs to be provided on site	DN 40/50 2057179	<b>348.00</b>	<b>L</b>
<b>2a Non-return valve</b>	Cast iron GG 25 (EN-GJL-250), according to DIN EN 12050-4, incl. 1 installation accessories kit	DN 50 2017166	<b>159.00</b>	<b>L</b>
<b>3b Valve</b>	Cast iron GG 25 (EN-GJL-250), incl. 1 installation accessories kit	DN 50 2017160	<b>146.00</b>	<b>L</b>
<b>4 Pipe bend</b>	Cast iron GG 25 (EN-GJL-250), incl. 1 installation accessories kit	DN 50 2018053	<b>146.00</b>	<b>L</b>
<b>6 Chain</b>	Steel, galvanised, incl. stainless steel shackles. Lifting capacity 400 kg	5 m 2027340	<b>58.00</b>	<b>L</b>
<b>8 Y-piece</b>	St 37, galvanised, with 2 installation accessories kits. Connection DN 50/50/50	2019042	<b>706.00</b>	<b>L</b>

## 2 Portable wet sump installation

Type	Description	Article No.	£	Del. Code
<b>6 Chain</b>	Made of stainless steel, including shackles. Lifting capacity 400 kg	5 m 2004671 10 m 2004670	<b>58.00</b> <b>201.00</b>	<b>L</b> <b>L</b>
<b>9 Ground support foot MTS</b>	In painted steel (S235JR).	2058721	<b>159.00</b>	<b>L</b>
<b>10a Pipe bend</b>	<b>Only for MTS 40/27 &amp; MTS 40 E 20 ... E 26.</b> In ENGJMW-400-5 (malleable cast iron) with installation accessories. Female/male thread G 1 1/4 (DN32) / G 1 1/4 (DN32).	2057400	<b>106.00</b>	<b>L</b>
<b>10b Pipe bend</b>	<b>Only for MTS 40 E 31 ... E 39.</b> In ENGJMW-400-5 (malleable cast iron) with flange with thread (DN40 PN40 EN1092) and installation accessories. Female/male thread G 1 1/4 (DN40) / G 1 1/4 (DN40)..	2057401	<b>161.00</b>	<b>L</b>

### Delivery code

- L = Available ex-stock UK†
- U = Available ex-stock Continent, available for delivery within approximately 2 to 3 weeks.†
- K = Components ex-stock UK, manufacture to order within 2 - 3 days. †
- C = Components ex-stock Continent, manufacture to order for delivery within approx. 4 weeks. †
- A = Delivery time on request

All prices not including V.A.T.

# Submersible Sump Pumps

## Wilo-Drain

### Wilo-Drain TP 50



Submersible sump pump capable of handling heavily soiled drainage water. With 10 m bare-end power connector cable. Ex-protected motor as standard.

'A'-design option with attached float switch, connector cable and power plug. Non Ex-protected motors.

- **Inox & Composite**
- **Increased safety class as standard**
- **Detachable power connector cable**

Price Group: W5

### Wilo-Drain TP 50 for heavily soiled fluids

Type Wilo-Drain	Single phase motor 1~ 230 V. 50 Hz			Three phase motor 3~ 400 V. 50 Hz		
	Article No.	£	Del. Code	Article No.	£	Del. Code
<b>TP 50 E 101/5.5*</b>	4025332	<b>593.00</b>	L	4025331	<b>523.00</b>	L
<b>TP 50 E 101/5.5 A</b>	4029445	<b>645.00</b>	L	4029551	<b>837.00</b>	K
<b>TP 50 E 107/7.5*</b>	4025335	<b>601.00</b>	L	4025334	<b>549.00</b>	L
<b>TP 50 E 107/7.5 A</b>	4029452	<b>697.00</b>	L	4029552	<b>844.00</b>	K
<b>TP 50 F 82/5.5*</b>	4025319	<b>584.00</b>	L	4025318	<b>523.00</b>	L
<b>TP 50 F 82/5.5 A</b>	4029438	<b>629.00</b>	L	4029548	<b>837.00</b>	K
<b>TP 50 F 90/7.5*</b>	4025322	<b>593.00</b>	L	4025321	<b>523.00</b>	L
<b>TP 50 F 90/7.5 A</b>	4029439	<b>680.00</b>	L	4029549	-	-

### Switchgears, trigger devices, alarm switchgears

#### Basic switchgears and accessories

Type	Description	Article No.	£	Del. Code	
<b>DrainControl PL 1-WS (1~)</b>	Single pump switchgear for control of 1 submersible motor pump with float switches (not included)	2525428	<b>782.00</b>	L	
<b>DrainControl PL 1-WS (3~)</b>	Single pump switchgear with main switch, for connection without neutral conductor, for control of 1 submersible motor pump with float switches (not included)	2525429	<b>782.00</b>	L	
<b>DrainControl PL 2-WS (1~)</b>	Dual pump switchgear for control of 2 submersible motor pumps with float switches (not included)	2525430	<b>1170.00</b>	L	
<b>DrainControl PL 2-WS (3~)</b>	Dual pump switchgear with main switch, for connection without neutral conductor, for control of 2 submersible motor pumps with float switches. (not included)	2525431	<b>1170.00</b>	L	
<b>Kiosk</b>	Weatherproof	2815534	<b>1204.00</b>	L	
<b>Battery Operated High Level Alarm</b>	Battery operated high level alarm*	2815535	<b>203.00</b>	L	
<b>Float Switch</b>	Double action (ATEX)	10 m cable	2815560	<b>94.00</b>	L
		20 m cable	2815561	<b>123.00</b>	L
		30 m cable	2815562	<b>132.00</b>	L
<b>Float Switch WA65</b>	Up ON/Down OFF	10 m cable	503211390	<b>53.00</b>	L
		20 m cable	503211893	<b>79.00</b>	L
		30 m cable	2004431	<b>118.00</b>	L

\* Requires a float switch

**Lump sum price for commissioning and functions tests on request.**

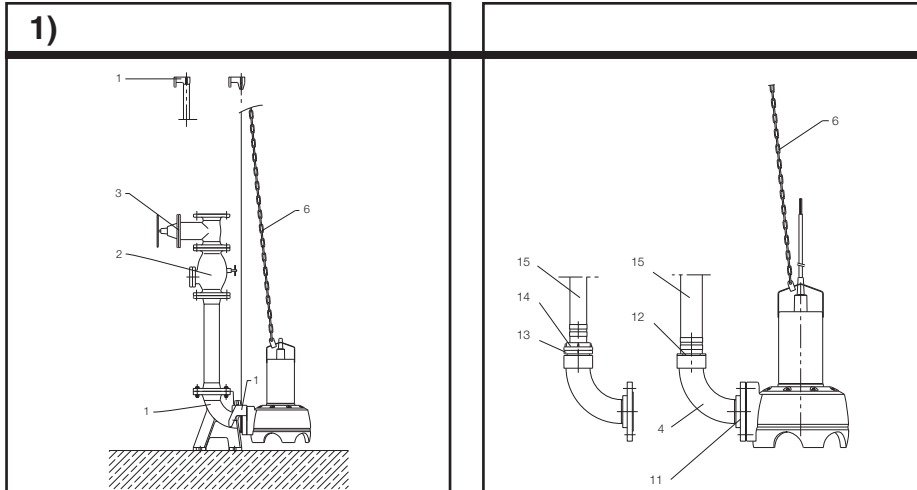
#### Delivery code

- L = Available ex-stock UK†  
 U = Available ex-stock Continent, available for delivery within approximately 2 to 3 weeks.†  
 K = Components ex-stock UK, manufacture to order within 2 - 3 days. †  
 C = Components ex-stock Continent, manufacture to order for delivery within approx. 4 weeks. †  
 A = Delivery time on request

All prices not including V.A.T.

# Submersible Sump Pumps

Mechanical accessories for Wilo-Drain TP 50



Price Group: W5

## 1) Mechanical accessories for Wilo-Drain TP 50 Stationary wet-sump installation

Type	Description	Article No.	£	Del. Code
① <b>Base elbow section incl. rope guide</b>	Cast iron incl. pump support, profile washer, sundry 50/65 installation materials and guide bracket. 7 m guide rope for 3.5 m sump depth, 5 m galv. steel lifting chain with stainless steel shackle On-site installation with 1" guide pipe alternatively possible.	DN 50/65 4027513	<b>301.00</b>	<b>L</b>
② <b>Check valve</b>	Cast iron with screwed ends.	2" 4027331	<b>200.00</b>	<b>L</b>
② <b>Check valve</b>	Cast iron incl. 1 set sundry materials <b>Z-No. 53.4-309</b>	DN 50 2017166	<b>157.00</b>	<b>A</b>
③ <b>Gate valve</b>	Ni-plated brass with screwed ends	2" 4027338	<b>79.00</b>	<b>L</b>
③ <b>Gate valve</b>	Cast iron incl. 1 set sundry materials	DN 50 2017160	<b>152.00</b>	<b>L</b>
<b>Y-piece</b>	Galv. Steel with 2 sets of sundry materials	Connections DN 50/50/50 2019042	<b>707.00</b>	<b>A</b>

## 2a) Non-stationary wet-sump application with horizontal hose connections

Type	Description	Article No.	£	Del. Code
⑥ <b>Chain</b>	Galv. steel incl. stainless steel shackle. 250 kg lifting capacity.	5 m 4027340	<b>48.00</b>	<b>L</b>
⑪ <b>Mating flange</b>	Galv. steel incl. sundry materials	DN 50 x 2" F 4027333	<b>48.00</b>	<b>L</b>
④ <b>Pipe bend</b>	Gal. steel with screwed ends	2" F/2" M 4027332	<b>48.00</b>	<b>A</b>
⑫ <b>Hose connector</b>	Plastic serrated hose nozzle with screwed end incl. hose clip	2" M 4027334	<b>21.00</b>	<b>A</b>
<b>Pipe bend</b>	Plastic for direct connection to TP 50 pump	4027344	<b>29.00</b>	<b>A</b>
⑮ <b>Pressure hose</b>	Synthetics, PN 6 to fit 60 mm ID hose	10 m 2018106	<b>132.00</b>	<b>A</b>

## 2b) Non-stationary wet-sump application with Storz coupling

Type	Description	Article No.	£	Del. Code
⑪ <b>Mating flange</b>	Galv. steel incl. sundry materials	DN 50 x 2" F 4027333	<b>48.00</b>	<b>L</b>
⑥ <b>Chain</b>	Galv. steel incl. stainless steel shackle. 250 kg lifting capacity.	5 m 4027340	<b>48.00</b>	<b>L</b>
④ <b>Pipe bend</b>	Gal. steel with screwed ends	2" F x 2" M 4027332	<b>48.00</b>	<b>A</b>
⑬ <b>Storz pipe connector</b>	Aluminium	2" M 2018102	<b>16.00</b>	<b>A</b>
⑭ <b>Storz hose connector</b>	Aluminium, incl. hose clips to fit 52 mm ID hose, suiting TP 50	2015235	<b>21.00</b>	<b>A</b>
⑮				

### Delivery code

- L = Available ex-stock UK†
- U = Available ex-stock Continent, available for delivery within approximately 2 to 3 weeks.†
- K = Components ex-stock UK, manufacture to order within 2 - 3 days. †
- C = Components ex-stock Continent, manufacture to order for delivery within approx. 4 weeks. †
- A = Delivery time on request

All prices not including V.A.T.

# Submersible Sump Pumps

Wilo-Drain

## Wilo-Drain TP 65



\* Z-53.2-427

Submersible pump capable of handling heavily soiled drainage water, TP 65 F (with Z.-No.\*) also of handling sewage. With 10 m bare-end power connector cable. Ex-protected motor as standard.

'A'-design option with attached float switch, connector cable and power plug. Non Ex-protected motors.

- **Inox & Composite**
- **Increased safety class as standard**
- **Detachable power connector cable**

Price Group: W5

### Wilo-Drain TP 65 for heavily soiled fluids

Type Wilo-Drain	Single phase motor 1~ 230 V. 50 Hz			Three phase motor 3~ 400 V. 50 Hz		
	Article No.	£	Del. Code	Article No.	£	Del. Code
<b>TP 65 E 114/11*</b>	4007101	<b>898.00</b>	<b>L</b>	4007099	<b>856.00</b>	<b>L</b>
<b>TP 65 E 114/11 A</b>	4029444	<b>951.00</b>	<b>L</b>	4029550	<b>1150.00</b>	<b>U</b>
<b>TP 65 E 122/15*</b>	4007107	<b>1083.00</b>	<b>U</b>	4007105	<b>1239.00</b>	<b>L</b>
<b>TP 65 E 132/22*</b>	–	–	–	4007111	<b>1284.00</b>	<b>L</b>
<b>TP 65 F 91/11*</b>	4007085	<b>856.00</b>	<b>L</b>	4007083	<b>792.00</b>	<b>L</b>
<b>TP 65 F 91/11 A</b>	4029437	<b>922.00</b>	<b>L</b>	4029547	<b>1093.00</b>	<b>U</b>
<b>TP 65 F 98/15*</b>	4007091	<b>1087.00</b>	<b>U</b>	4007089	<b>1150.00</b>	<b>L</b>
<b>TP 65 F 109/22*</b>	–	–	–	4007095	<b>1220.00</b>	<b>L</b>

\*Optional grade 316 stainless steel available on request (At extra cost - **£157.00**)

### Switchgears, trigger devices, alarm switchgears

#### Basic switchgears and accessories

Type	Description	Article No.	£	Del. Code	
<b>DrainControl PL 1-WS (1~)</b>	Single pump switchgear for control of of 1 submersible motor pump with float switches (not included)	2525428	<b>782.00</b>	<b>L</b>	
<b>DrainControl PL 1-WS (3~)</b>	Single pump switchgear with main switch, for connection without neutral conductor, for control of 1 submersible motor pump with float switches (not included)	2525429	<b>782.00</b>	<b>L</b>	
<b>DrainControl PL 2-WS (1~)</b>	Dual pump switchgear for control of of 2 submersible motor pumps with float switches (not included)	2525430	<b>1170.00</b>	<b>L</b>	
<b>DrainControl PL 2-WS (3~)</b>	Dual pump switchgear with main switch, for connection without neutral conductor, for control of 2 submersible motor pumps with float switches. (not included)	2525431	<b>1170.00</b>	<b>L</b>	
<b>Kiosk</b>	Weatherproof	2815534	<b>1204.00</b>	<b>L</b>	
<b>Battery Operated High Level Alarm</b>	Battery operated high level alarm*	2815535	<b>203.00</b>	<b>L</b>	
<b>Float Switch</b>	Double action (ATEX)	10 m cable	2815560	<b>94.00</b>	<b>L</b>
		20 m cable	2815561	<b>123.00</b>	<b>L</b>
		30 m cable	2815562	<b>132.00</b>	<b>L</b>
<b>Float Switch WA65</b>	Up ON/Down OFF	10 m cable	503211390	<b>53.00</b>	<b>L</b>
		20 m cable	503211893	<b>79.00</b>	<b>L</b>
		30 m cable	2004431	<b>118.00</b>	<b>L</b>

\* Requires a float switch

**Lump sum price for commissioning and functions tests on request.**

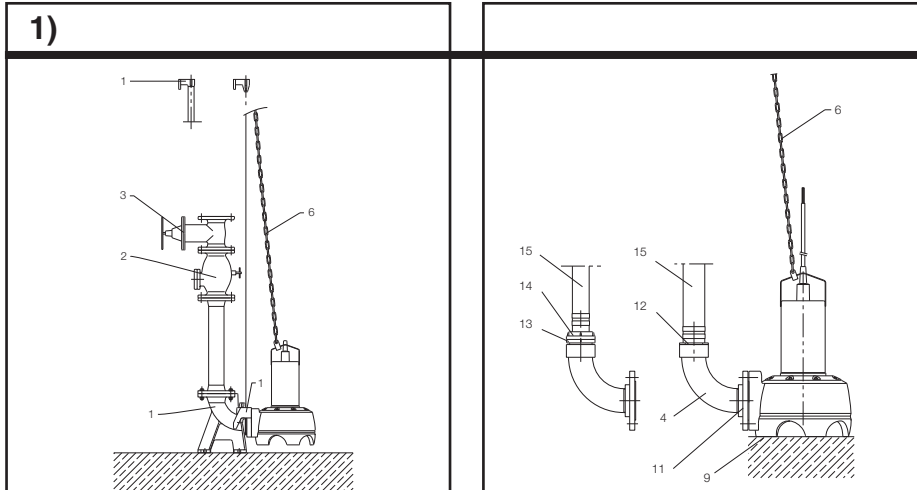
#### Delivery code

- L = Available ex-stock UK†  
 U = Available ex-stock Continent, available for delivery within approximately 2 to 3 weeks.†  
 K = Components ex-stock UK, manufacture to order within 2 - 3 days. †  
 C = Components ex-stock Continent, manufacture to order for delivery within approx. 4 weeks. †  
 A = Delivery time on request

All prices not including V.A.T.

# Submersible Sump Pumps

Mechanical accessories for Wilo-Drain TP 65



Price Group: W5

## 1) Mechanical accessories for Wilo-Drain TP 65 Stationary wet-sump installation

Type	Description	Article No.	£	Del. Code
① <b>Base elbow section incl. rope guide</b>	Cast iron incl. pump support, profile washer, sundry installation materials and guide bracket. 7 m guide rope for 3.5 m sump depth, 5 m galv. steel lifting chain with stainless steel shackle DN 65 or DN 80 connections. ⑥ On-site installation with 1" guide pipe alternatively possible.	DN 65/80 4016096	<b>341.00</b>	<b>L</b>
② <b>Check valve</b>	Cast iron with screwed ends. <b>Z-No. 53.4-309</b>	DN 65 2017167	<b>349.00</b>	<b>A</b>
③ <b>Gate valve</b>	Cast iron incl. 1 set of sundry materials	DN 65 2017161	<b>168.00</b>	<b>L</b>
<b>Pipe bend</b>	S.G. iron incl. 1 set of sundry materials	DN 65 2017183	<b>157.00</b>	<b>L</b>
<b>Y-piece</b>	Galv. Steel with 2 sets of installation Sundries. Flanges PN 10/16 to DIN 2501	Connections DN 65/65/65 2017178	<b>549.00</b>	<b>A</b>
<b>Sundry materials</b>	Set of bolts, nuts and gasket for one flanged connection	DN 65 2012068	<b>21.00</b>	<b>L</b>

## 2a) Non-stationary wet-sump application with horizontal hose connections

Type	Description	Article No.	£	Del. Code
⑨ <b>Base plate</b>	For TP 65, galv. steel consisting of: 1 base plate and fixing sundries	4015206	<b>70.00</b>	<b>L</b>
⑥ <b>Chain</b>	Galv. steel incl. stainless steel shackle. 250 kg lifting capacity.	5 m 4027340	<b>48.00</b>	<b>L</b>
⑪ <b>Mating flange</b>	Galv. steel incl. sundry materials	DN 65 x 2 1/2" F 4015204	<b>86.00</b>	<b>L</b>
④ <b>Pipe bend</b>	Gal. steel with screwed ends	2 1/2" F x 2 1/2" M 4015212	<b>75.00</b>	<b>A</b>
<b>Pipe bend</b>	Cast iron, for direct connection to TP 65	DN 65 4027346	<b>55.00</b>	<b>A</b>
⑫ <b>Hose connector</b>	Stainless steel serrated hose nozzle to fit 70 mm ID hose with screwed end incl. hose clip	2 1/2" M 4015210	<b>55.00</b>	<b>A</b>
⑮ <b>Pressure hose</b>	Synthetics, PN 8 to fit 70 mm ID hose,	10 m 2014151	<b>55.00</b>	<b>A</b>

## 2b) Non-stationary wet-sump application with Storz coupling

Type	Description	Article No.	£	Del. Code
⑨ <b>Base plate</b>	For TP 65, galv. steel consisting of: 1 base plate and fixing sundries	4015206	<b>70.00</b>	<b>L</b>
⑥ <b>Chain</b>	Galv. steel incl. stainless steel shackle. 250 kg lifting capacity.	5 m 4027340	<b>48.00</b>	<b>L</b>
⑪ <b>Mating flange</b>	Galv. steel incl. sundry materials	DN 65 x 2 1/2" F 4015204	<b>86.00</b>	<b>L</b>
④ <b>Pipe bend</b>	Gal. steel with screwed ends	2 1/2" x 2 1/2" M 4015212	<b>75.00</b>	<b>A</b>
⑬ <b>Storz pipe connector</b>	Aluminium	2 1/2" M 2015234	<b>21.00</b>	<b>A</b>
⑭ <b>Storz hose connector</b>	Aluminium. incl. hose clips to fit 52 mm ID hose	2015235	<b>21.00</b>	<b>A</b>
⑮				

### Delivery code

L = Available ex-stock UK†  
 U = Available ex-stock Continent, available for delivery within approximately 2 to 3 weeks.†  
 K = Components ex-stock UK, manufacture to

order within 2 - 3 days. †  
 C = Components ex-stock Continent, manufacture to order for delivery within approx. 4 weeks. †  
 A = Delivery time on request

All prices not including V.A.T.

# Submersible Sump Pumps

## Wilo-EMU KS



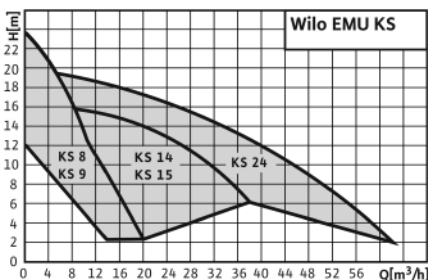
Price Group: W8

Wilo-EMU KS Alternating current 1~230 V, 50 Hz					
Type Wilo-EMU ...	Discharge Point	Motor power rating P <sub>2</sub> (kW)	Article No.	£	Del.Code
KS 5 Ex	G 1 1/4" / Storz C	0.75	-	-	A
KS 5 EX... S	G 1 1/4" / Storz C	0.75	-	-	A
KS 8	G 1 1/4" / Storz C	0.75	6019740	1073.00	A
KS 8... S	G 1 1/4" / Storz C	0.75	6019741	1161.00	A
KS 8 GG	G 1 1/4" / Storz C	0.75	6023332	1244.00	A
KS 8 GG... S	G 1 1/4" / Storz C	0.75	6019742	1329.00	A
KS 9	G 1 1/4" / Storz C	0.75	6019745	1126.00	A
KS 9... S	G 1 1/4" / Storz C	0.75	6020835	1212.00	A
KS 9 GG	G 1 1/4" / Storz C	0.75	6023341	1302.00	A
KS 9 GG... S	G 1 1/4" / Storz C	0.75	6023342	1388.00	A
KS 14	G 2" / Storz C	0.75	6019448	1284.00	A
KS 14... S	G 2" / Storz C	0.75	6019449	1371.00	A
KS 14 GG	G 2" / Storz C	0.75	6023349	1448.00	A
KS 14 GG... S	G 2" / Storz C	0.75	6023350	1533.00	A
KS 15	G 2" / Storz C	1.3	6019785	1478.00	A
KS 15... S	G 2" / Storz C	1.3	6001201	1564.00	A
KS 15 GG	G 2" / Storz C	1.3	6019786	1654.00	A
KS 15 GG... S	G 2" / Storz C	1.3	6023354	1740.00	A
KS 24	G 3" / Storz C	2.36	-	-	A
KS 24... S	G 3" / Storz C	2.36	-	-	A

Wastewater submersible motor pump with integrated thermal motor protection.

### Applications:

- Pumping of wastewater containing solid matter of Ø 12 mm max. in
- excavation ditches, ponds and shafts
  - flooded basements
  - fountains



Price Group: W8

Wilo-EMU KS Three-phase current 3~400 V, 50 Hz					
Type Wilo-EMU ...	Discharge Point	Motor power rating P <sub>2</sub> (kW)	Article No.	£	Del.Code
KS 5 Ex	G 1 1/4" / Storz C	0.75	6030969	1474.00	A
KS 5 EX... S	G 1 1/4" / Storz C	0.75	6039393	2055.00	A
KS 8	G 1 1/4" / Storz C	0.75	6019736	1161.00	A
KS 8... S	G 1 1/4" / Storz C	0.75	6019739	1161.00	A
KS 8 GG	G 1 1/4" / Storz C	0.75	6019737	1244.00	A
KS 8 GG... S	G 1 1/4" / Storz C	0.75	6023336	1329.00	A
KS 9	G 1 1/4" / Storz C	0.75	6019743	1126.00	A
KS 9... S	G 1 1/4" / Storz C	0.75	6023340	1212.00	A
KS 9 GG	G 1 1/4" / Storz C	0.75	6023343	1302.00	A
KS 9 GG... S	G 1 1/4" / Storz C	0.75	6023344	1388.00	A
KS 14	G 2" / Storz C	0.75	6019447	1284.00	A
KS 14... S	G 2" / Storz C	0.75	6023348	1371.00	A
KS 14 GG	G 2" / Storz C	0.75	6023351	1448.00	A
KS 14 GG... S	G 2" / Storz C	0.75	6023352	1533.00	A
KS 15	G 2" / Storz C	1.3	6019450	1478.00	A
KS 15... S	G 2" / Storz C	1.3	6019784	1564.00	A
KS 15 GG	G 2" / Storz C	1.3	6019451	1654.00	A
KS 15 GG... S	G 2" / Storz C	1.3	6023357	1740.00	A
KS 24	G 3" / Storz C	2.36	6001204	2239.00	A
KS 24... S	G 3" / Storz C	2.36	6023360	2481.00	A

### Product advantages

- Oil-filled motor for reliable operation
- Long service life
- High level of operating safety
- "Slurping operation" possible
- Suitable for permanent operation
- Easy handling
- Cable length 10 m
- Large scope of delivery (Storz coupling, 90° angle for vertical discharge outlet if required)

### Delivery code

- L = Available ex-stock UK†  
 U = Available ex-stock Continent, available for delivery within approximately 2 to 3 weeks.†  
 K = Components ex-stock UK, manufacture to order within 2 - 3 days. †  
 C = Components ex-stock Continent, manufacture to order for delivery within approx. 4 weeks. †  
 A = Delivery time on request

Key: S - Float switch, GG - Cast Iron.  
 Other sizes available on request.

All prices not including V.A.T.



# Submersible Sump Pumps

Wilo-EMU



Wilo-EMU FA 08/10

Price Group: W5



## Product description

Sewage submersible motor pump with 10 m power cable and bare cable end

## Applications:

- Pumping of faeces, municipal and industrial sewage, including with long-fibre particles in
- Building and surface draining
  - Sewage and water management
  - Environmental and wastewater treatment technology
  - Industrial and process engineering

## Product advantages

- Separation chamber with double sealing
- Wide range of power levels

Lump sum price for commissioning and functions tests on request.

## Wilo-EMU FA 08

Type Wilo-EMU...	Power consumption Kw I [A]		Article No.	£	Delivery Code
FA 08.43-120E + T 13-2/12H	3.75	7.6	6040712	2114.00	A
FA 08.43-135E + T 13-2/12H	3.75	7.6	6040713	2128.00	A
FA 08.43-135E + T 13-2/16H	5	9.7	6040714	2693.00	A
FA 08.43-150E + T 13-2/16H	5	9.7	6040715	2704.00	A
FA 08.52W-170E + T 17-4/8	3.5	8	6045116	3469.00	A
FA 08.52W-200E + T 17-4/8	3.5	8	6045115	3546.00	A
FA 08.73-160W + T 17-2/22H	10.5	20.5	6040716	4439.00	A
FA 08.73-160W + T 20.1-2/22G	15.5	30.5	6040717	5970.00	A
FA 08.73-170W + T 20.1-2/22G	15.5	30.5	6040718	6009.00	A
FA 08.66-195W + T 20.1-2/22G	15.5	30.5	6040719	6196.00	A
FA 08.66-210W + T 20.1-2/22G	15.5	30.5	6040720	6307.00	A

Type Wilo-EMU... Eexd Motor	Power consumption Kw I [A]		Article No.	£	Delivery Code
FA 08.43-135E + T 13-2/12KEEx	3.75	7.6	6047595	2702.00	A
FA 08.43-140E + T 13-2/16HEEx	5	9.7	6047596	3245.00	A
FA 08.43-135E + T 13-2/16KEEx	5	9.7	6047597	3318.00	A

## Wilo-EMU FA 10

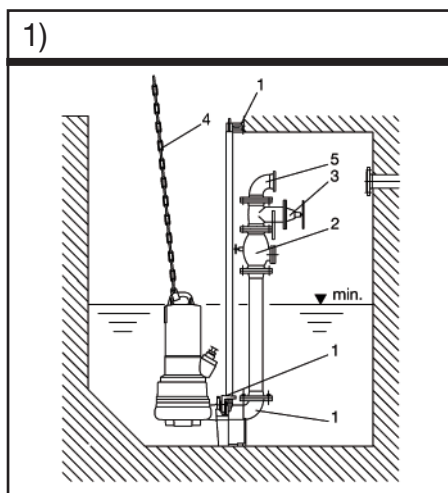
Type Wilo-EMU...	Power consumption Kw I [A]		Article No.	£	Delivery Code
FA 10.22-230W + T 17-4/12R	4.5	9.4	6035738	2811.00	A
FA 10.34-234E + T 17-4/16H	6.5	13.5	6040721	3734.00	A
FA 10.34-258E + T 17.2-4/24H	10	21	6040722	4416.00	A
FA 10.34-278E + T 17.2-4/24H	10	21	6040723	4576.00	A
FA 10.43-225W + T 17-4/16	6.5	13.5	6045114	3266.00	A
FA 10.51-179E + T 17-4/8	3.5	8	6035740	2804.00	A
FA 10.78-330Z + T 24-4/29K	25	49.5	6040724	11556.00	A
FA 10.78-370Z + T 24-4/29K	25	49.5	6040725	11785.00	A
FA 10.78-410Z + T 24-4/36K	34	68	6040726	12248.00	A

Note: Leak monitoring does not work when pumps are connected to the DrainControl switchgear series.

Other models on request.

# Submersible Sump Pumps

## Mechanical accessories for Wilo EMU FA 08/10



Price Group: W5

### 1) Stationary wet sump installation - Wilo-Drain FA08/10

Type	Description	Article No.	£	Del. Code		
<b>1 Base elbow</b>	Cast iron GG 25 (EN-GJL-250), incl. pump support, profile seal, accessories for installation and ground attachment and guide pipe bracket. R 1 1/4 double pipe connection needs to be provided on site	FA 08	6022585	<b>454.00</b>	L	
		FA 10E	6022587	<b>575.00</b>	L	
<b>2 Non-return valve</b>	Cast iron GG 25 (EN-GJL-250). according to DIN EN 12050-4 with 1 installation accessories kit, flange.	DN 80	2017168	<b>409.00</b>	L	
		DN 100	2017169	<b>462.00</b>	L	
<b>3 Gate Valve</b>	Cast iron GG 25 (EN-GJL-250), with 1 installation accessories kit, flange. with 1 installation accessories kit, flange.	DN 80	2017162	<b>254.00</b>	L	
		DN 100	2017163	<b>313.00</b>	L	
<b>4 Chain</b>	Steel, galvanised, incl. steel shackles	Lifting capacity 400 kg	5m	2004671	<b>106.00</b>	L
			10m	2004670	<b>224.00</b>	L
		Lifting capacity 250 kg	5m	4027340	<b>57.00</b>	L
			-			
<b>5 Pipe bend</b>	Cast iron GG 25 (EN-GJS-400-15), with 1 installation accessories kit, flange.	DN 80	2012064	<b>178.00</b>	L	
		DN 100	2004669	<b>201.00</b>	L	
<b>Y-piece</b>	St 37, galvanised, with 2 installation accessories kits. Connection Flange PN 10/16 as per DIN 2501	DN 80/80/80	2012067	<b>680.00</b>	L	
		DN 100/100/100	2004669	<b>680.00</b>	L	
<b>Installation accessories</b>	For a flange/flange connection, with screw, nuts and flat gasket	DN 80	2012067	<b>27.00</b>	L	
		DN 100	2017176	<b>32.00</b>	L	

**Note: All units supplied bare. Flanges/Unions available at extra cost. Please specify at time of order**

#### Delivery code

L = Available ex-stock UK †

U = Available ex-stock Continent, available for delivery within approximately 2 to 3 weeks. †

K = Components ex-stock UK, manufacture to order within 2 - 3 days. †

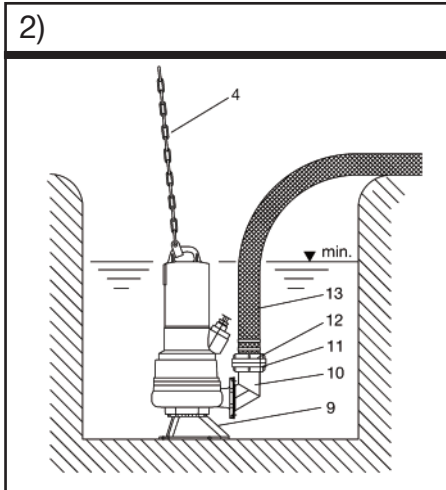
C = Components ex-stock Continent, manufacture to order for delivery within approx. 4 weeks. †

A = Delivery time on request

All prices not including V.A.T.

# Submersible Sump Pumps

Mechanical accessories for Wilo EMU FA 08/10



Price Group: W5

2) Portable wet sump installation - Wilo-Drain FA08/10							
Type	Description		Article No.	£	Del. Code		
4	Chain	Steel, galvanised, incl. steel shackles	Lifting capacity 250 kg	5m	4027340	57.00	L
				-	-	-	L
		Lifting capacity 400 kg	5m	2004671	106.00	L	
			10m	2004670	224.00	L	
9	Floor Mounting Base	(S 235J, painted steel) incl. fixing material		DN 80	6022586	430.00	L
				DN 100	6022593	460.00	L
				for FA 08 Hmax > 44 m and FA 10E	6022592	430.00	L
10	Pipe bend incl.	Cast iron GG 25 (EN-GJS-400-15), flange bend DN 80 with male thread R 3 incl. 1 installation accessories kit and Storz solid coupling female thread R 3		DN 80	6031385	197.00	L
11	Storz solid coupling	Cast iron GG 25 (EN-GJS-400-15), flange bend DN 100 with male thread R 4 incl. 1 installation accessories kit and Storz solid coupling female thread R 4		DN 100	6031672	231.00	L
12	Storz hose coupling	Aluminium, connection size interior Ø 90mm Aluminium, connection size interior Ø 110mm			2017204	74.00	L
					2004675	74.00	L
13	Pressure hose	Synthetics, PN 8, hose interior 20m Ø 90 mm, incl. hose clamp		10m	2017152	252.00	L
				20m	2017193	500.00	L
				30m	2017194	751.00	L
		Synthetics, PN 8, hose interior 20m Ø 110 mm, incl. hose clamp		10m	2017196	225.00	L
				20m	2017197	446.00	L
				30m	2017198	673.00	L

**Note: All units supplied bare. Flanges/Unions available at extra cost. Please specify at time of order**

#### Delivery code

- L = Available ex-stock UK†
- U = Available ex-stock Continent, available for delivery within approximately 2 to 3 weeks.†
- K = Components ex-stock UK, manufacture to order within 2 - 3 days. †
- C = Components ex-stock Continent, manufacture to order for delivery within approx. 4 weeks. †
- A = Delivery time on request

All prices not including V.A.T.

# Lifting Units

## Wilo-DrainLift



### Con

Self-contained packaged condensate pump set with integrated checkvalve and 2 m power cable with plug.

- Free of disturbing noise
- Installer-friendly due to variably arrangeable inlet and discharge connections
- Highest reliability degree due to alarm contacts as standard

### Wilo-DrainLift Con

Type	Tank volume	Article No.	£	Delivery Code
Wilo-Drainlift				
Con	≈ 2 l	2068650	166.00	L

### Wilo-DrainLift Con accessories

Type	Article No.	£	Delivery Code
Adapter 24 to 25mm	2045965	9.00	L
Adapter 24 to 30mm	2045966	10.00	L
Adapter 24 to 40mm	2045967	10.00	L
Hose 25 m	2045592	75.00	L

Price Group: W6

### Box

Self-contained drainage water set for underfloor installation with all necessary switch and control elements, includes pump.

- With variable housing extension as standard
- Maintenance-friendly inspection opening

### Wilo-DrainLift Box for underfloor installation

Type		Article No.	£	Delivery Code
Wilo-Drainlift				
Box 32/8	Integrated pump station complete with pump and internal pipework	2521820	823.00	L
Box 32/11		2521821	899.00	L
Box 40/10		2521822	907.00	L

Price Group: W6

### TMP

Self-contained drainage water pump set for onfloor installation with all necessary switch and control elements.

- Modern styled bathroom fixture
- Conspicuously inconspicuous

### Wilo-DrainLift TMP for onfloor installation

Type	Dimensions WidthxHeightxDepth [mm]	Weight ca. kg	Article No.	£	Delivery Code
Wilo-Drainlift					
TMP 32-0.5 (1-)	511 x 300 x 269	7.1	2017795	487.00	L
TMP 40/8 (1-)	511 x 385 x 300	8.0	2522664	532.00	L

Price Group: W6

### KH

Self-contained mini waste water and sewage pump set with macerator complete with all required switch and control devices.

- Modern styled bathroom fixture
- Fully automatic waste water disposal

### Wilo-DrainLift KH Mini sewage pump set

Type	Dimensions WidthxHeightxDepth [mm]	Weight ca. kg	Article No.	£	Delivery Code
Wilo-Drainlift					
KH 32-0.4 (1-)	511 x 300 x 269	7.8	2011011	778.00	L

Lump sum prices for commissioning and functions tests on request.

### Delivery code

- L = Available ex-stock UK†
- U = Available ex-stock Continent, available for delivery within approximately 2 to 3 weeks.†
- K = Components ex-stock UK, manufacture to order within 2 - 3 days. †
- C = Components ex-stock Continent, manufacture to order for delivery within approx. 4 weeks. †
- A = Delivery time on request

All prices not including V.A.T.

# Packaged Sewage Pump Set

DrainLift S



## Wilo-DrainLift S



Price Group: W6

### Wilo-DrainLift S

Type Wilo-DrainLift	Single phase 1~ 230 V. 50 Hz			Three phase 3~ 400 V. 50 Hz		
	Article No.	£	Del. Code	Article No.	£	Del. Code
<b>S 1/5</b> (incl. power plug, PE-pin/CEE)	2520947	<b>1708.00</b>	L	2520948	<b>1787.00</b>	L

Packaged waste water and sewage pump set optionally for direct connection to a toilet pan, bathroom waste disposal or concealed cavity wall installation. DN 80, 45 l tank volume.

- Plant fully conforming to EN 12050-1
- 30 cm depth
- Suitable for concealed installation

#### DrainLift S including

- DN 80/100 flanged connector port
- DN 100 inlet seal
- Hole saw attachment

Price Group: W5

### Accessories Wilo-DrainLift S

Type	Description	Article No.	£	Del. Code
<b>Flange adaptor</b>	with hose and hose clips DN80	2511595	<b>123.00</b>	L
<b>Check valve</b>	Cast iron incl. 1 set sundry materials, <b>Z-No. 53.4-309</b> DN80	2017168	<b>430.00</b>	L
<b>Check valve</b>	Plastic incl. 1 set sundry materials, <b>Z-No. 53.4-120</b> DN80	2029991	<b>236.00</b>	L
<b>Gate valve</b>	Cast iron incl. 1 set sundry materials DN80	2017162	<b>261.00</b>	L
<b>Diaphragm hand pump</b>	with 1 1/2" connection	501 539 899	<b>220.00</b>	L
<b>Inlet seal</b>	for an additional DN 100 inlet connection	2507757	<b>49.00</b>	L
<b>DrainAlarm 2</b>	Alarm signal box	4051115	<b>349.00</b>	L

**Lump sum price for commissioning and functions tests on request.**

#### Delivery code

- L = Available ex-stock UK †
- U = Available ex-stock Continent, available for delivery within approximately 2 to 3 weeks. †
- K = Components ex-stock UK, manufacture to order within 2 - 3 days. †
- C = Components ex-stock Continent, manufacture to order for delivery within approx. 4 weeks. †
- A = Delivery time on request

All prices not including V.A.T.

# Packaged Sewage Pump Set

DrainLift



Price Group: W6

Packaged pump set for waste water and sewage disposal from single dwellings and apartment houses

- **Installer-friendly due to**
  - low weight
  - integrated check valve
- **Highest flexibility due to**
  - free choice of inlet position
- **Highest reliability degree due to**
  - large tank volume
  - integrated mains-independent alarm function

- DrainLift M/L including**
- flanged socket DN 80/100
  - inlet gasket DN 100
  - circular hole saw DN 100
  - check flap valve

Wilo-DrainLift M					
Type Wilo-DrainLift	Discharge connection DN	Tank size l	Article No.	£	Delivery Code
<b>M 1/8 RV (1~)</b>	80	100	2528940	<b>2896.00</b>	L
<b>M 1/8 RV (3~)</b>	80	100	2528941	<b>2992.00</b>	L
<b>M 2 (1~)</b>	80	150	2520938	<b>4414.00</b>	L
<b>M 2 (3~)</b>	80	150	2515130	<b>4490.00</b>	L

Price Group: W5

Wilo-DrainLift L					
Type Wilo-DrainLift	Discharge connection DN	Tank size l	Article No.	£	Delivery Code
<b>L 1/10 (3~)</b>	80	100	2519500	<b>3489.00</b>	L
<b>L 1/15 (3~)</b>	80	100	2519501	<b>3830.00</b>	L
<b>L 1/20 (3~)</b>	80	100	2519502	<b>4100.00</b>	L
<b>L 1/25 (3~)</b>	80	100	2519503	<b>5060.00</b>	L
<b>L 2/10 (3~)</b>	80	150	2519504	<b>6020.00</b>	L
<b>L 2/15 (3~)</b>	80	150	2519505	<b>6265.00</b>	L
<b>L 2/20 (3~)</b>	80	150	2519506	<b>6544.00</b>	L
<b>L 2/25 (3~)</b>	80	150	2519507	<b>7590.00</b>	L

Wilo-DrainLift L with individual fault signal and time-delayed rundown					
Type Wilo-DrainLift	Discharge connection DN	Tank size l	Article No.	£	Delivery Code
<b>L 1/10 C (3~)</b>	80	100	2519508	<b>4032.00</b>	K
<b>L 1/15 C (3~)</b>	80	100	2519509	<b>4316.00</b>	K
<b>L 1/20 C (3~)</b>	80	100	2519510	<b>5566.00</b>	K
<b>L 1/25 C (3~)</b>	80	100	2519511	<b>5566.00</b>	K
<b>L 2/10 C (3~)</b>	80	150	2519512	<b>7294.00</b>	K
<b>L 2/15 C (3~)</b>	80	150	2519513	<b>7583.00</b>	K
<b>L 2/20 C (3~)</b>	80	150	2519514	<b>7869.00</b>	K
<b>L 2/25 C (3~)</b>	80	150	2519515	<b>8922.00</b>	K

Accessories Wilo-DrainLift M/L					
Type	Description	Article No.	£	Del.Code	
<b>Gate valve</b>	Cast iron with 1 set sundry materials	DN 80	2017162	<b>261.00</b>	L
		DN 100	2017163	<b>313.00</b>	L
		DN 150	2017164	<b>401.00</b>	L
<b>Flanged socket</b>	with hose and hose clips	DN 80/80	2511595	<b>123.00</b>	L
		DN 100/100	2511597	<b>175.00</b>	L
		DN 150/150	2511598	<b>226.00</b>	L
<b>Inlet seal</b>	1 off seal for additional inlet	DN 100	2507757	<b>49.00</b>	L
<b>Inlet seal set</b>	1 off seal and circular saw	DN 150	2515145	<b>123.00</b>	L
<b>Diaphragm hand pump</b>	Screwed connections	1 1/2" F	501 539 899	<b>220.00</b>	L
<b>3-way cock</b>	Screwed connections	1 1/2" F	2511607	<b>200.00</b>	L
<b>DrainAlarm 2</b>	with self-charging power pack and buzzer		4051115	<b>349.00</b>	L

**Lump sum price for commissioning and functions tests on request.**

**Delivery code**

- L = Available ex-stock UK†
- U = Available ex-stock Continent, available for delivery within approximately 2 to 3 weeks.†
- K = Components ex-stock UK, manufacture to order within 2 - 3 days. †
- C = Components ex-stock Continent, manufacture to order for delivery within approx. 4 weeks. †
- A = Delivery time on request

All prices not including V.A.T.

# Packaged Sewage Pump Set

DrainLift XL



## Wilo-DrainLift XL



Packaged waste water and sewage pump set optionally for direct connection to a toilet pan, bathroom waste disposal or concealed cavity wall installation. DN 80, 45 l tank volume.

- Plant fully conforming to EN 12050-1
- 30 cm depth
- Suitable for concealed installation

### DrainLift XL including

- DN 80/100 flanged connector port
- DN 100 inlet seal
- Hole saw attachment

Price Group: W5

### Wilo-DrainLift XL

Type	Discharge connection DN	Tank size l	Article No.	£	Delivery Code
Wilo-DrainLift					
<b>XL 2/10</b>	80/100	440	2520943	<b>6194.00</b>	<b>L</b>
<b>XL 2/15</b>	80/100	440	2520944	<b>6621.00</b>	<b>L</b>
<b>XL 2/20</b>	80/100	440	2520945	<b>7062.00</b>	<b>L</b>
<b>XL 2/25</b>	80/100	440	2520946	<b>7514.00</b>	<b>L</b>

### Accessories Wilo-DrainLift XL

Type	Description	Article No.	£	Del.Code
<b>Gate valve</b>	Cast iron with 1 set sundry materials	DN 80 2017162	<b>261.00</b>	<b>L</b>
		DN 100 2017163	<b>313.00</b>	<b>L</b>
		DN 150 2017164	<b>401.00</b>	<b>L</b>
<b>Flanged socket</b>	with hose and hose clips	DN 80/80 2511595	<b>123.00</b>	<b>L</b>
		DN 100/100 2511597	<b>175.00</b>	<b>L</b>
		DN 150/150 2511598	<b>226.00</b>	<b>L</b>
<b>Inlet seal</b>	1 off seal for additional inlet	DN 100 2507757	<b>49.00</b>	<b>L</b>
<b>Inlet seal set</b>	1 off seal and circular saw	DN 150 2515145	<b>123.00</b>	<b>L</b>
<b>Diaphragm hand pump</b>	Screwed connections	1½" F 501 539899	<b>220.00</b>	<b>L</b>
<b>3-way cock</b>	Screwed connections	1½" F 2511607	<b>200.00</b>	<b>L</b>
<b>DrainAlarm 2</b>	with self-charging power pack and buzzer	4051115	<b>349.00</b>	<b>L</b>

**Lump sum price for commissioning and functions tests on request.**

### Delivery code

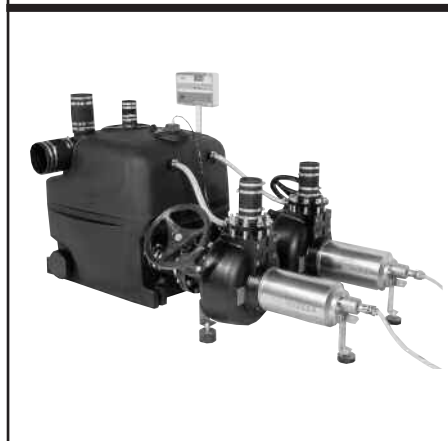
- L = Available ex-stock UK †
- U = Available ex-stock Continent, available for delivery within approximately 2 to 3 weeks. †
- K = Components ex-stock UK, manufacture to order within 2 - 3 days. †
- C = Components ex-stock Continent, manufacture to order for delivery within approx. 4 weeks. †
- A = Delivery time on request

All prices not including V.A.T.

# Packaged Sewage Pump Set

## DrainLift XXL

### Wilo-DrainLift XXL



Packaged pump set for waste water and sewage disposal from large buildings

- **Pumps of Inox & Composite construction**
- **Low individual parts weight**
- **Receiver tank with integrated deep well suction**

**Lump sum price for commissioning and functions tests on request.**

Price Group: W5

### Wilo-DrainLift XXL

Type	Discharge connection DN	Tank volume litres	Article No.	£	Delivery Code
XXL840-2/1.4	80	400	2509000	10251.00	C
XXL840-2/1.8	80	400	2509001	10448.00	C
XXL880-2/1.4	80	2 x 400	2509005	11114.00	C
XXL880-2/1.8	80	2 x 400	2509006	11338.00	C
XXL1040-2/3.9	100	400	2509014	14408.00	C
XXL1040-2/5.2	100	400	2509015	14516.00	C
XXL1040-2/7.0	100	400	2509016	14657.00	C
XXL1040-2/8.4	100	400	2509017	14829.00	C
XXL1080-2/3.9	100	2 x 400	2509034	15299.00	C
XXL1080-2/5.2	100	2 x 400	2509035	15403.00	C
XXL1080-2/7.0	100	2 x 400	2509036	15526.00	C
XXL1080-2/8.4	100	2 x 400	2509037	15700.00	C

Price Group: W5

### Accessories Wilo-DrainLift XXL

Type	Description	Article No.	£	Del. Code
Gate valve	Cast iron incl. 1 set sundry materials DN80	2017162	261.00	U
Gate valve	Cast iron incl. 1 set sundry materials DN100	2017163	313.00	U
Gate valve	Cast iron incl. 1 set sundry materials DN150	2017164	401.00	U
Check valve	Cast iron incl. 1 set sundry materials Z-No. 53.4-309 DN80	2017168	401.00	U
Check valve	Cast iron incl. 1 set sundry materials DN80	2017172	226.00	U
Check valve	Cast iron incl. 1 set sundry materials Z-No. 53.4-309 DN100	2017169	460.00	U
Check valve	Cast iron incl. 1 set sundry materials DN100	2017173	270.00	U
Flange adaptor	with flexible hose and hose clips DN80	2511595	123.00	U
Flange adaptor	with flexible hose and hose clips DN100	2511597	175.00	U
Flange adaptor	with flexible hose and hose clips DN150	2511598	226.00	U
Y-piece	for the installation with one tank (400 litres) DN80/80/80	2511605	629.00	U
Y-piece	for the installation with one tank (400 litres) DN100/100/100	2511606	772.00	U
Diaphragm hand pump	1" 1/2 BSP screwed ends	501 539 899	220.00	U
3-way cock	1" 1/2 BSP screwed ends	2511607	200.00	U
KAS	with signal bell and auto-charging power pack	501 534 094	236.00	U
DrainAlarm 2	with auto-charging power pack and audible alarm	4051115	349.00	U

#### Delivery code

- L = Available ex-stock UK†  
 U = Available ex-stock Continent, available for delivery within approximately 2 to 3 weeks.†  
 K = Components ex-stock UK, manufacture to order within 2 - 3 days. †  
 C = Components ex-stock Continent, manufacture to order for delivery within approx. 4 weeks. †  
 A = Delivery time on request

All prices not including V.A.T.

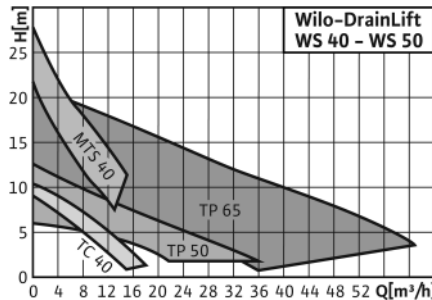


# Packaged Pump Sets

Wilco-Drain



## Wilco-DrainLift WS 40-50



**NEW SERIES**

**Pumps NOT included in prices shown below.**

Price Group: W6

Wastewater and sewage pump station for drainage and pressurised de-watering inside and outside buildings.

### Version WS 40 Basic

Complete system without pump plus all inspection and control units

### Version WS 40-50

Piping in stainless steel 1.4404, without pump and switchgear, with PUR coupling placed above water, ball non-return device, gate valve and supporting device for level sensor.

Version WS...E: Single pump system.

Version WS...D: Double pump system.

### Application

Drainage of wastewater and sewage, for use in

- Underground car parks
- Inns
- Commercial buildings
- Campsites

### Product advantages

Increased safety by:

- large reservoirs (200/400 l)
- large free ball passage (10-44 mm)
- application of macerator pump is possible
- freely selectable inlets
- flexible application inside buildings as lifting unit and outside buildings as sump pump station

**Lump sum price for commissioning and functions tests on request.**

### Delivery code

L = Available ex-stock UK†

U = Available ex-stock Continent, available for delivery within approximately 2 to 3 weeks.†

K = Components ex-stock UK, manufacture to order within 2 - 3 days. †

C = Components ex-stock Continent, manufacture to order for delivery within approx. 4 weeks. †

A = Delivery time on request

All prices not including V.A.T.

### Wilco-DrainLift WS 40 Basic

Delivery Code K

Type DrainLift ...	Reservoir size in l	Free ball passage mm	Article No	£
WS 40E/TC 40/10 EM-BV	200	35	2525600	1406.00
WS 40D/TC 40/10 EM-BV	400	35	2525602	4324.00

### Wilco-DrainLift WS 40-50

Delivery Code K

Type DrainLift ...	Reservoir size in l	...in connection with pump...	Free ball passage mm	Reco- mended switchgear No.	Article No	£
WS 50E	200	TP 50/F TP 65/F	44	1,2,5	2525160	1550.00
WS 50D	400	TP 50/F TP 65/F	44	3,4,6	2525160	2569.00
WS 40E/MTS40	200	MTS 40/21 to MTS 40/27	10	1,2,5	2525164	1520.00
WS 40D/MTS40	400	MTS 40/21 to MTS 40/27	10	3,4,6	2525165	2439.00

Price excludes pump and panel prices

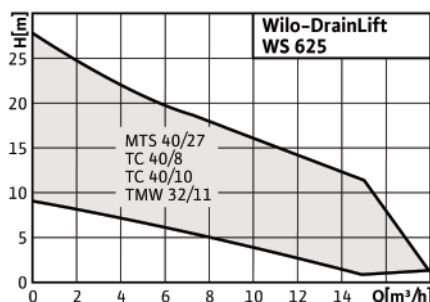
### Mechanical accessories for Wilco-DrainLift WS 40-50

Type	Version	Article No	£	Del Code
Extension 300 mm cpl.	Accessory 30 cm with seal	2525190	86.00	K
Feed seal kit DN 100	Incl. seal + hole saw	2521841	53.00	K
Gate valve for feed DN 100	Incl. fixing material	2017163	180.00	K
Flange tube DN 100	For connecting gate valve at inlet	2511597	152.00	K
Diaphragm hand pump	R 1½"	2060166	232.00	K
Vacuum breaker	1"	2525180	297.00	K
Gate valve	1½"	2525187	50.00	K
	2"	2525188	69.00	K

# Packaged Pump Sets

## Pump Stations

### Wilo-Drainlift WS 625



#### Applicable pump types in conjunction with DrainLift WS:

- Submersible sewage motor pump MTS40/27
- Submersible wastewater motor pump TC 40
- Submersible wastewater motor pump TMW 32/11

**Pumps NOT included in prices shown below**

Price Group: W6

#### Product description

Pump well, synthetic

#### Applications:

Pumping of wastewater and sewage from building systems, rooms and surfaces below backflow level outside of buildings.

#### Product advantages

- Varying heights
- Feed connection with DN 100 (or optionally DN 150) provided as standard
- Well can be walked on/driven on, depending on chosen cover

#### Scope of delivery:

WS 625 including: Gate valve 1¼", seal for feed (DN 100, optionally DN 150), seal for ventilation/electrical connection (DN 100), seal for pressure line (DN 40)

#### Note:

Pump (TMW 32/11, TC 40, MTS 40/...) pressure line for shaft insertion depth selected as required as accessories.

**Lump sum price for commissioning and functions tests on request.**

#### Delivery code

- L = Available ex-stock UK†
- U = Available ex-stock Continent, available for delivery within approximately 2 to 3 weeks.†
- K = Components ex-stock UK, manufacture to order within 2 - 3 days. †
- C = Components ex-stock Continent, manufacture to order for delivery within approx. 4 weeks. †
- A = Delivery time on request

All prices not including V.A.T.

### Wilo-Drainlift WS 625

Type Pressure pipe <sup>1)</sup> for...	...in conjunction with pump...	Clearance/height mm	Load Capacity	Article No.	£	Delivery Code
WS 625 E/1200	TMW 32/11	1200	100	2097141	917.00	K
WS 625 E/1500	TMW 32/11	1500	100	2097142	1051.00	K
WS 625 E/1800	TMW 32/11	1800	100	2097143	1212.00	K
WS 625 E/2100	TMW 32/11	2100	100	2097144	1390.00	K
WS 625 E/1200	TC 40/STS 40	1200	150	2097145	988.00	K
WS 625 E/1500	TC 40/STS 40	1500	150	2097146	1123.00	K
WS 625 E/1800	TC 40/STS 40	1800	150	2097147	1123.00	K
WS 625 E/2100	TC 40/STS 40	2100	150	2097148	1123.00	K
WS 625 E/1200	MTS 40/27	1200	150	2097149	1123.00	K
WS 625 E/1500	MTS 40/27	1500	150	2097150	1123.00	K
WS 625 E/1800	MTS 40/27	1800	150	2097151	1123.00	K
WS 625 E/2100	MTS 40/27	2100	150	2097152	1282.00	K

<sup>1)</sup> Pressure pipe including non-return device R1¼ (on TMW 32/11 integrated in pump)

Price Group: W6

### Accessories

Type	Clearance/height mm	Load Capacity	Article No.	£	Delivery Code
Cover, standard	1800	150	2525207	200.00	K
Cover, class A	1800	150	2525318	338.00	K
Cover, class B	1800	150	2525319	463.00	K
Cover, class D	1800	150	2525320	1201.00	K
Clamp connection 50 x 50	1800	150	2525183	55.00	K
Clamp connection 50 x 63	2100	150	2525184	75.00	K

# Packaged Pump Set

## DrainLift WS



### Wilco-DrainLift WS



The Wilco-DrainLift WS900 Economy utilises integrated float control and thus eliminates the need for a separate control panel. Ideal for those applications where an economy price is required.

Price Group: W8

#### Wilco-DrainLift WS Economy

Type	Description	Article No.	£	Del. Code
<b>WS900E/TP50 Eco</b>	Single pump station for sewage c/w TP50 pump	2815565	<b>2415.00</b>	L
<b>WS900E/TP65 Eco /STS65</b>	Single pump station for sewage c/w TP65 or STS65 pump	2815566	<b>3072.00</b>	L
<b>High Level Alarm</b>	Battery operated high level alarm and float switch for WILCO-DrainLift WS900 Economy	2815535	<b>224.00</b>	L

The Wilco-DrainLift WS900/1100 is a packaged lifting station complete with control panel and high level alarm.

Price Group: W8

#### Wilco-DrainLift WS900/1100

Type	Description	Article No.	£	Del. Code
<b>WS900E/TS 40</b>	Single pump station for wastewater c/w TS40 pump	2507739	<b>3230.00</b>	L
<b>WS900D/TS 40</b>	Twin pump station for wastewater c/w TS40 pumps	2507740	<b>4906.00</b>	L
<b>WS900E/MTS40</b>	Single pump station for sewage c/w cutter pump	2506420	<b>4232.00</b>	L
<b>WS900E/TP50</b>	Single pump station for sewage c/w TP50 pump	2506435	<b>3245.00</b>	L
<b>WS900E/TP65/STS65</b>	Single pump station for sewage c/w TP65 or STS65 pump	2506436	<b>3794.00</b>	L
<b>WS1100E/MTS40</b>	Single pump station for sewage c/w cutter pump	2506430	<b>4906.00</b>	C
<b>WS1100E/TP50</b>	Single pump station for sewage c/w TP50 pump	2506432	<b>3825.00</b>	C
<b>WS1100E/TP65/STS65</b>	Single pump station for sewage c/w TP65 or STS65 pump	2506433	<b>4388.00</b>	C
<b>WS1100E/TP80</b>	Single pump station for sewage c/w TP80 pump	2506434	<b>6975.00</b>	C
<b>WS1100D/MTS40</b>	Twin pump station for sewage c/w cutter pumps	2506440	<b>7304.00</b>	L
<b>WS1100D/TP50</b>	Twin pump station for sewage c/w TP50 pumps	2506441	<b>5329.00</b>	L
<b>WS1100D/TP65/STS65</b>	Twin pump station for sewage c/w TP65 or STS65 pumps	2506442	<b>6145.00</b>	L

Price Group: W8

#### Accessories for Wilco-DrainLift WS900/1100

Type	Description	Article No.	£	Del. Code
<b>Access Cover Standard</b>	830mm diameter moulded polyurethane access cover	2506477	<b>147.00</b>	L
<b>Access Cover Flood Proof</b>	830mm diameter moulded polyurethane access cover	2506478	<b>334.00</b>	L
<b>Sump Extension</b>	730mm sump extension	2506431	<b>289.00</b>	L
<b>Lock Union</b>	1½" F to 50mm outside diameter	2505004	<b>40.00</b>	L
<b>Lock Union</b>	1½" F to 63mm outside diameter	2505045	<b>54.00</b>	L
<b>Lock Union</b>	2" F to 63mm outside diameter	2505046	<b>69.00</b>	L

A complete packaged pumping station manufactured from synthetic materials utilising the very latest production technology.

Either 900 or 1100mm diameter tank with a choice of single or twin pumps.

Cutter pump option also available.

- 2 tank sizes
- 5 pump types

#### Scope of Supply

- Stainless steel discharge pipe from the pump discharge port to approx. 10 cm outside of sump
- Above-the-water coupling system including seals
- Check valve, gate valve, completely assembled
- 1½" scouring connection
- Stainless steel lifting chain including fixing hook
- Support pipe for level control (Type N level controller, float switch)
- Control panel complete with high level alarm

**Note:** The economy version utilises integrated float control and thus a separate control panel is not included.

#### Delivery code

- L = Available ex-stock UK†
- U = Available ex-stock Continent, available for delivery within approximately 2 to 3 weeks.†
- K = Components ex-stock UK, manufacture to order within 2 - 3 days. †
- C = Components ex-stock Continent, manufacture to order for delivery within approx. 4 weeks. †
- A = Delivery time on request

All prices not including V.A.T.

# Electrical Accessories

## Pumps/Lifting Units

Price Group: W6

### Switchgears, trigger devices, alarm switchgears

#### Basic switchgears and accessories

Type	Version	Article No.	£	Del. Code	
<b>DrainControl PL 1-WS (1~)</b>	Single pump switchgear for control of 1 submersible motor pump with float switches (not included)	2525428	<b>782.00</b>	L	
<b>DrainControl PL 1-WS (3~)</b>	Single pump switchgear with main switch, for connection without neutral conductor, for control of 1 submersible motor pump float switches (not included)	2525429	<b>782.00</b>	L	
<b>DrainControl PL 2-WS (1~)</b>	Dual pump switchgear for control of 2 submersible motor pumps with float switches (not included)	2525430	<b>1170.00</b>	L	
<b>DrainControl PL 2-WS (3~)</b>	Dual pump switchgear with main switch, for connection without neutral conductor, for control of 2 submersible motor pumps with float switches (not included)	2525431	<b>1170.00</b>	L	
<b>Kiosk</b>	Weatherproof	2815534	<b>1204.00</b>	L	
<b>Battery Operated High Level Alarm</b>	Battery operated high level alarm*	2815535	<b>203.00</b>	L	
<b>Float Switch</b>	Double action (ATEX)	10 m cable	2815560	<b>94.00</b>	L
		20 m cable	2815561	<b>123.00</b>	L
		30 m cable	2815562	<b>132.00</b>	L
<b>Float Switch WA65</b>	up ON / down OFF	5 m cable	503211390	<b>53.00</b>	L
		10 m cable	503211893	<b>79.00</b>	L
		20 m cable	2004431	<b>118.00</b>	L

\* Requires a float switch

Price Group: W6

#### Trigger device for installation in existing switchgears or as a module for switchgears built in conventional design, installation on 35 mm top hat rail

Type	Version	Article No.	£	Del. Code
<b>SK 545</b>	Trigger device for monitoring max. of 2 Wilo submersible motor pumps FA08, FA10, FA15.	2015577	<b>245.00</b>	L

Price Group: W6

#### Alarm switchgears and accessories for outdoor installation

Type	Version	Article No.	£	Del. Code
<b>DrainAlarm 2</b>	Alarm switchgear for wall installation, with self-recharging power supply pack, with acoustic alarm signal. As transmitter, a WA type float switch is required.	4051115	<b>341.00</b>	L
<b>Flashing light</b>	Flashing light for installation on switch cabinet, outdoor installation, 1~230 V.	2510429	<b>85.00</b>	L
<b>Signal horn</b>	For connection to a Wilo-DrainControl, 1~230 V.	501 459 398	<b>80.00</b>	L

<sup>1)</sup> Assembly with selection of accessories on request.

**Important:** Switchgears are **not explosion-proof** and may only be installed outside of potentially explosive areas.

#### Delivery code

- L = Available ex-stock UK†
- U = Available ex-stock Continent, available for delivery within approximately 2 to 3 weeks.†
- K = Components ex-stock UK, manufacture to order within 2 - 3 days. †
- C = Components ex-stock Continent, manufacture to order for delivery within approx. 4 weeks. †
- A = Delivery time on request

All prices not including V.A.T.

### Accessories

	Wilo- EC-Drain 1	Wilo- EC-Drain 2	Wilo-DrainControl PL1 / PL1 WS	Wilo-DrainControl PL2 / PL2 WS	Wilo- EC-DrainControl 1 <sup>1)</sup>	Wilo- EC-DrainControl 2 <sup>1)</sup>
<b>Application</b>						
Switchgear for pump control	•	•	•	•	•	•
Number of pumps to be controlled	1	2	1	2	1	2
<b>Electrical connection</b>						
Direct activation [A]	max. 12	max. 2 x12	max. 12	max. 2 x12	max. 10	max. 2 x10
Star/Delta switching [A]	–	–	–	–	> 10	< 10
<b>Construction</b>						
Microprocessor-controlled	–	–	•	•	•	•
Electronic	•	•	–	–	–	–
Electro-mechanical	–	–	–	–	–	–
<b>Housing material</b>						
Plastic	•	•	•	•	•	•
Metal	–	–	–	–	–	–
<b>Equipment</b>						
Test run	–	–	•	•	–	–
Pump starts counter/impuls counter	–	–	•	•	–	–
LCD Display	–	–	•	•	•	•
LED control lamp	•	•	•	•	•	•
Main switch	•	•	•	•	•	•
Ampere display	–	–	•	•	•	•
Voltmeter	–	–	–	–	– <sup>2)</sup>	– <sup>2)</sup>
Adjustable after-running time	–	–	•	•	•	•
Operation hours counter	–	–	•	•	•	•
Level Float switch	• <sup>3)</sup>	• <sup>3)</sup>	• <sup>3)</sup>	• <sup>3)</sup>	• <sup>3)</sup>	• <sup>3)</sup>
Level Pneumatic sensor	•	•	•	•	•	•
Level sensor 4-20mA	–	–	•	•	• <sup>4)</sup>	• <sup>4)</sup>
Level Electrodes	–	–	–	–	–	–
Alarm Mains dependent	•	•	•	•	•	•
Alarm Built-in (buzzer)	•	•	•	•	–	–
Pump duty cycling	–	–	–	•	–	•
<b>Messages/display functions</b>						
Collective run signal (SBM)	•	•	–	–	–	–
Collective fault signal (SSM)	•	•	•	•	•	•
Individual run signal (EBM)	–	–	–	–	•	•
Individual fault signal (ESM)	–	–	–	•	–	–
<b>Control functions (motor operation monitoring)</b>						
WSK	•	•	•	•	•	•
PTC	–	–	–	–	•	•
Impermeability (DI)	–	–	–	–	•	•
Electronic	•	•	•	•	• <sup>6)</sup>	• <sup>6)</sup>
Motor protection switch	–	–	optional	optional	• <sup>5)</sup>	• <sup>5)</sup>
<b>Related pumps / motors</b>						
FA ...	All T12, T13-2/12 T13-2/16, T17-4/8		All T12, T13-2/12 T13-2/16, T17-4/8		FA 03, FA 05, FA08 FA 10	

1) other motor power ratings on request

2) only for direct-switch-on devices (up to 4kW)

3) in the Ex area only with Ex-uncoupling relay

4) in the Ex area only with breakdown barrier

5) starting with 10A

6) Typ 13-Ex already included

• = available

– = not available

# Electrical Accessories

## Standard stock programme

### Wilo-EC-Drain



Switchgear for automatic, transmitter dependent control of 1 or 2 wastewater / sewage submersible motor pumps.

Applicable for 1~230V, 3~400V, 3~320V for 50Hz and 60Hz. IP 65.

Level control via float switch WA65 and MSA (EC-Drain 2x4,0 only)

Dimensions:

EC-Drain 1x4.0 kW 215 x 220 x 125 mm

EC-Drain 2x4.0 kW 300 x 230 x 113 mm

### Accessories

Type	For motor type	Article No.	£	Del.Code
<b>EC-Drain 1x4.0kW</b>	all T12, T13-2/12, T13-2/16, T17-4/8	2523488	<b>651.00</b>	L
<b>EC-Drain 1x4.0kW</b>	all T12, T13-2/12, T13-2/16, T17-4/8	2527355	<b>734.00</b>	L

Microprocessor-controlled for fully automatic control of 1 or 2 pump submersible motor pumps.

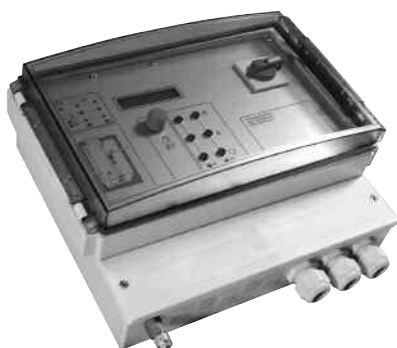
Applicable for 1~230V, 3~400V, 3~320V for 50Hz. IP 54.

Level control via float switch WA65 and MSA (EC-Drain 2x4,0 only).

Dimensions:

Model dependent

### Wilo-DrainControl



### Accessories

Type	For pump type FA..	Article No.	£	Del.Code
<b>DrainControl 1</b> (0.3-10A) DE	05.11, 05.32, 05.23, 03.13, 03.15 08.43, 08.52, 10.51	2519930	<b>1497.00</b>	L
<b>DrainControl 1</b> (9-12A) DE	8.43-135, 08.43-150, 10.22	2522161	<b>2328.00</b>	L
<b>DrainControl 1</b> (12.5-16A) SD	10.34-234, 10.43-225	2519934	<b>2463.00</b>	L
<b>DrainControl 1</b> (20-24A) SD	10.34-258	2522163	<b>3357.00</b>	L
<b>DrainControl 2</b> (0.3-10A) DE	05.11, 05.32, 05.23, 03.13, 03.15 08.43, 08.52, 10.51	2519931	<b>1693.00</b>	L
<b>DrainControl 2</b> (9-12A) DE	8.43-135, 08.43-150, 10.22	2522162	<b>2920.00</b>	L
<b>DrainControl 2</b> (12.5-16A) SD	10.34-234, 10.43-225	2519935	<b>3357.00</b>	L
<b>DrainControl 2</b> (20-24A) SD	10.34-258	2522164	<b>3948.00</b>	L

**Note:** Switchgears are **not explosion-proof** and may only be installed outside of potentially explosive areas. A level sensor in the Ex area (with breakdown barrier) or a float switch (in the Ex area with uncoupling relay) is to be provided for pump control.

**Note:** All units supplied bare. Flanges/Unions available at extra cost. Please specify at time of order

#### Delivery code

- L = Available ex-stock UK†
- U = Available ex-stock Continent, available for delivery within approximately 2 to 3 weeks.†
- K = Components ex-stock UK, manufacture to order within 2 - 3 days. †
- C = Components ex-stock Continent, manufacture to order for delivery within approx. 4 weeks. †
- A = Delivery time on request

All prices not including V.A.T.

# Wilo-DrainLift-WS

## Wet Well Pumping Station

Fully self-contained wet sump pumping station with stainless steel pipework. Lightweight Polyethylene construction for easy installation. Two sump sizes for five pump types with anti-buoyancy provision as standard

### Application

Collecting and displacing waste water and coarse sewage in conjunction with mechanical building services (single dwellings, residential buildings, underground car parks) originating from spaces and areas below the backflow level (to DIN 1986/EN 12050). The 'plastic moulded' sump pump station is installed below ground level outside of buildings without necessitating any concrete work. A time saving, easy installation and cost-friendly solution for any planner or proprietor. Variable installation depths are achieved by shortening the sump collar for lower depths or by adding a sump collar extension for greater depths. Suitable as a fully self-contained wet sump station in conjunction with pressurised displacement and as collecting pumping station in conjunction with non-pressurised drainage.

### Design and Equipment

- Maximum traffic load 5 kN/m<sup>2</sup> (to DIN EN 124, [Section 1])
- Maximum discharge pressure 6 bar
- Wet sump pumping station of recycling-capable PE
- Extreme safety from floating due to 2/4 side-fitted fins as standard (no concrete ballast rings required)
- 2/4 inlet connections optionally selectable on site
- Maximum strength due to the semi-circular construction of the sump bottom which gives high rigidity and optimum swirling action to prevent deposit formation
- Wilo above-the-water coupling arrangement
- Two sockets DN 100 for vent connection and power cable
- Easy access to the rod suspended float controller
- Scouring connection as standard

### Ease of Use

- Easy to handle
- Easy to transport
- Easy to position
- Easy to install
- Easy to connect



### Scope of Supply

- The standard equipment for dual pump station double the quantities of above the water couplings and fittings
- Stainless steel delivery pipe from the pump discharge port to approx. 10 cm outside of sump
  - Above-the-water coupling system incl. sealing gaskets
  - Non-return valve, isolating valve completely installed
  - 1 1/2" scouring connection
  - Stainless steel chain complete with fastening hook
  - Float switch mounting bracket

### Applicable pump types

**Wilo-TS 40** (slightly soiled fluids), **Wilo-TP 50** (heavily soiled fluids and sewage), **Wilo-TP 65** (heavily soiled fluids and sewage), **Wilo-MTS 40** (heavily soiled fluids and sewage - with patented macerator).

All ranges of above pumps available in 1~ (240v) or 3~ (415v) with explosion proof motors.

Please call for further information.



Wilo-TP 65

### Accessories for the wet well pumping station:



**PE sump cover** 'Standard' and 'floodproof' designs available, incorporating non-slip profiled top surface finish and two internally located locking device (standard) or six externally operated stainless steel locks (floodproof). Class A, suitable for pedestrian traffic.

## WILO PUMP STATION QUESTIONNAIRE

Please answer all questions as fully as possible and FAX back on 01283 523099

From: \_\_\_\_\_

Phone: \_\_\_\_\_

Fax: \_\_\_\_\_

Site name: \_\_\_\_\_

Company: \_\_\_\_\_

Today's date: \_\_\_\_\_ Date required by: \_\_\_\_\_

Site address: \_\_\_\_\_

\* Mark inlet and cable entry

**Type of Effluent:** raw sewage, final effluent, stormwater or other Roof and Road Drainage

**Application and Daily Flow:** \_\_\_\_\_ l/day

**Pump Arrangement:** Duty / Assist / Standby single duty or duty standby

**Vertical Distance from Ground Cover to Incoming Sewer (see A):** \_\_\_\_\_ m

**Vertical Distance from Incoming Sewer to Discharge Invert (see B):** \_\_\_\_\_ m

**Horizontal Distance from Pump Sump to Discharge Point (see C):** \_\_\_\_\_ m

**Number of Bends in Rising Main:** \_\_\_\_\_

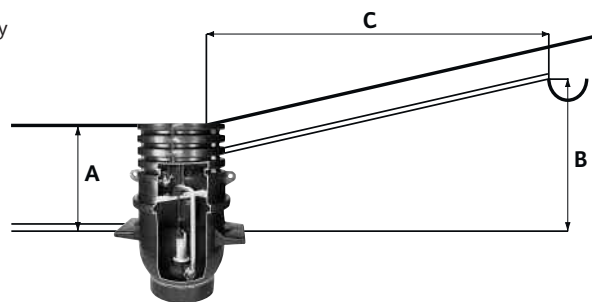
**Number and Size of Inlet Pipe:** \_\_\_\_\_

**Electricity Supply:** 230V or 415V

**Distance from Control Panel to Pump Sump:** \_\_\_\_\_ m

**Type of Manhole Cover (pedestrian as standard):** \_\_\_\_\_

**Other Information:** \_\_\_\_\_



# Notes

---







## TERMS AND CONDITIONS OF SALE

### 1. PRICE

- 1.1 The price quoted excludes VAT (unless otherwise stated). VAT will be charged at the rate applying at the time of delivery.
- 1.2 Our quotations lapse after 30 days (unless otherwise stated).
- 1.3 The price quoted excludes delivery and packaging (unless otherwise stated).
- 1.4 Unless otherwise stated, the price quoted is an illustrative estimate only and the price charged will be our price current at the time of delivery.
- 1.5 Rates of tax and duties on the goods will be those applying at the time of delivery.
- 1.6 At any time before delivery we may adjust the price to reflect any increase in our costs of supplying the goods.

### 2. DELIVERY

- 2.1 All delivery times quoted are estimates only.
- 2.2 If we fail to deliver within a reasonable time, you may (by informing us in writing) cancel the contract, however:
  - 2.2.1 you may not cancel if we receive your notice after the goods have been dispatched; and
  - 2.2.2 if you cancel the contract, you can have no further claim against us under that contract.
- 2.3 If you accept delivery of the goods after the estimated delivery time, it will be on the basis that you have no claim against us for delay (including indirect or consequential loss, or increase in the price of the goods).
- 2.4 We may deliver the goods in instalments. Each instalment is treated as a separate contract.

### 3. DELIVERY AND SAFETY

- 3.1 We may decline to deliver if:
  - 3.1.1 we believe that it would be unsafe, unlawful or unreasonably difficult to do so; or
  - 3.1.2 the premises (or the access to them) are unsuitable for our vehicle.

### 4. Risk

- 4.1 The goods are at your risk from the time of delivery.
- 4.2 Delivery occurs when you have signed for the goods and takes place either:
  - 4.2.1 at our premises (if you are collecting them or arranging carriage); or
  - 4.2.2 at your premises (if we are arranging carriage).
- 4.3 You must inspect the goods on delivery. If any goods are damaged (or not delivered), you must write to tell us within five working days of delivery (or the expected delivery time). You must give us (and any carrier) a fair chance to inspect the damaged goods.

### 5. PAYMENT TERMS

- 5.1 You are to pay us in cash or otherwise in cleared funds on delivery, unless you have an approved credit account.
- 5.2 If you have an approved credit account, payment is due on the last day of the month following the month of our invoice unless otherwise agreed in writing.
- 5.3 If you fail to pay us in full on the due date:
  - 5.3.1 we may suspend or cancel future deliveries;
  - 5.3.2 we may cancel any discount offered to you;
  - 5.3.3 you must pay us interest at the rate set under s.6 of the Late Payment of Commercial Debts (Interest) Act 1998
    - a. calculated (on a daily basis) from the date of our invoice until payment;
    - b. compounded on the first day of each month; and
    - c. before and after any judgment (unless a court orders otherwise);
  - 5.3.4 we may claim fixed sum compensation from you under s.5A of that Act to cover our credit control overhead costs; and
  - 5.3.5 we may recover (under clause 5.7) the cost of taking legal action to make you pay.
- 5.4 If you have an approved credit account, we may withdraw it or reduce your credit limit or bring forward your due date for payment. We may do any of those at any time without notice.
- 5.5 You do not have the right to set off any money you may claim from us against anything you may owe us.
- 5.6 While you owe money to us, we have a lien on any of your property in our possession.
- 5.7 You are to indemnify us in full and hold us harmless from all expenses and liabilities we may incur (directly or indirectly including financing costs and including legal costs on a full indemnity basis) following any breach by you of any of your obligations under these terms

### 6 TITLE

- 6.1 Until you pay all debts you may owe us:
  - 6.1.1 all goods supplied by us remain our property;
  - 6.1.2 you must store them so that they are clearly identifiable as our property;
  - 6.1.3 you must insure them (against the risks for which a prudent owner would insure them) and hold the policy on trust for us;
  - 6.1.4 you may use those goods and sell them in the ordinary course of your business, but not if:
    - a. we revoke that right (by informing you in writing); or
    - b. you become insolvent.
- 6.2 You must inform us (in writing) immediately if you become insolvent.
- 6.3 If your right to use and sell the goods ends, you must allow us to remove the goods.
- 6.4 We have your permission to enter any premises where the goods may be stored:
  - 6.4.1 at any time, to inspect them; and
  - 6.4.2 after your right to use and sell them has ended, to remove them, using reasonable force if necessary.
- 6.5 Despite our retention of title to the goods, we have the right to take legal proceedings to recover the price of goods supplied should you not pay us by the due date.
- 6.6 You are not our agent. You have no authority to make any contract on our behalf or in our name.

### 7 WARRANTIES

- 7.1 We warrant that the goods:
  - 7.1.1 comply with their description on our acknowledgement of order form; and
  - 7.1.2 are free from material defect for a period of 18 months from the date of delivery provided that you comply with clause 7.3.
- 7.2 We give no other warranty (and exclude any warranty, term or condition that would otherwise be implied) as to the quality of the goods or their fitness for any purpose.
- 7.3 If you believe that we have delivered goods which are defective in materials or workmanship, you must:
  - 7.3.1 inform us (in writing), with full details, as soon as possible (but in any event within 19 months of delivery); and
  - 7.3.2 allow us to investigate (we may need access to your premises and product samples).
- 7.4 Where we attend your premises to investigate a claim under clause 7.3, you must provide our staff with access to a safe, suitable working environment in which to conduct the investigation and any remedial work. If we conclude that the investigation or work cannot be undertaken in a safe manner we reserve the right to refuse to proceed.
- 7.5 If after our investigation we conclude that we have not breached our warranty under clause 7.1 we will recover cost of the investigation and associated expenses from you.

- 7.6 If the goods are found to be defective in material or workmanship (following our investigations), and you have complied with those conditions (in clause 7.3) in full, we will (at our option) replace the goods or refund the price.
- 7.7 We are not liable for any other loss or damage (including indirect or consequential loss, financial loss, loss of profits or loss of use) arising from the contract or the supply of goods or their use, even if we are negligent.
- 7.8 Our total liability to you (from one single cause) for damage to property caused by our negligence is limited to £322,700.
- 7.9 For all other liabilities not referred to elsewhere in these terms our liability is limited in damages to the price of the goods.
- 7.10 Nothing in these terms restricts or limits our liability for death or personal injury resulting from negligence.

## 8 SPECIFICATION

- 8.1 If we prepare the goods in accordance with your specifications or instructions:
- 8.1.1 you must ensure that the specifications or instructions are accurate; and
- 8.1.2 you must ensure that goods prepared in accordance with those specifications or instructions will be fit for the purpose for which you intend to use them.
- 8.1.3 you must ensure that our use of your specifications or designs will not result in the infringement of any intellectual property rights of a third party, or in the breach of any applicable law or regulation.
- 8.2 We reserve the right to make any changes in the specifications of our goods which are necessary to ensure they conform with any applicable safety or other statutory requirements.
- 8.3 We also reserve the right to make without notice any minor modifications in our specifications we think necessary or desirable.

## 9 RETURN OF GOODS

- 9.1 We will accept the return of goods from you only:
- 9.1.1 by prior arrangement (confirmed in writing and quoting your Sales Return Order (SRO) which can be obtained by calling our Sales Team);
- 9.1.2 on payment of an agreed handling charge (unless the goods were defective when delivered); and
- 9.1.3 where the goods are as fit for sale on their return as they were on delivery.
- 9.2 **Where goods are returned to us they will be subject to a restocking charge of 30%.**

## 10 CANCELLATION

- 10.1 If the order is cancelled (for any reason) you are then to pay us for all stock (finished or unfinished) that we may then hold (or to which we are committed) for the order.
- 10.2 We may suspend or cancel the order, by written notice if:
- 10.2.1 you fail to pay us any money when due (under the order or otherwise);
- 10.2.2 you become insolvent;
- 10.2.3 you fail to honour your obligations under these terms.
- 10.3 You may not cancel the order unless we agree in writing (and clauses 2.2.2 and 10.1 then apply).

## 11 WAIVER AND VARIATIONS

- 11.1 Any waiver or variation of these terms is binding in honour only unless:
- 11.1.1 made (or recorded) in writing;
- 11.1.2 signed by a director, partner or proprietor on behalf of each party;
- and
- 11.1.3 expressly stating an intention to vary these terms.
- 11.2 All orders that you place with us will be on these terms (or any that we may issue to replace them). By placing an order with us, you are expressly waiving any printed terms you may have to the extent that they are inconsistent with our terms.

## 12 FORCE MAJEURE

- 12.1 If we are unable to perform our obligations to you (or able to perform them only at unreasonable cost) because of circumstances beyond our control, we may cancel or suspend any of our obligations to you, without liability.
- 12.2 Examples of those circumstances include act of God, accident, explosion, war, terrorism, fire, flood, transport delays, strikes and other industrial disputes and difficulty in obtaining supplies.

## 13 GENERAL

- 13.1 English law is applicable to any contract made under these terms. The English and Welsh courts have non-exclusive jurisdiction.
- 13.2 If you are more than one person, each of you has joint and several obligations under these terms.
- 13.3 If any of these terms are unenforceable as drafted:
- 13.3.1 it will not affect the enforceability of any other of these terms; and
- 13.3.2 if it would be enforceable if amended, it will be treated as so amended.
- 13.4 We may treat you as insolvent if:
- 13.4.1 you are unable to pay your debts as they fall due; or
- 13.4.2 you (or any item of your property) become the subject of:
- a. any formal insolvency procedure (examples of which include receivership, liquidation, administration, voluntary arrangements (including a moratorium) or bankruptcy);
- b. any application or proposal for any formal insolvency procedure; or
- c. any application, procedure or proposal overseas with similar effect or purpose.
- 13.5 All brochures, catalogues and other promotional materials are to be treated as illustrative only. Their contents form no part of any contract between us and you should not rely on them in entering into any contract with us.
- 13.6 Any notice by either of us which is to be served under these terms may be served by leaving it at or by delivering it to (by first class post or by fax) the other's registered office or principal place of business. All such notices must be signed.
- 13.7 No contract will create any right enforceable (by virtue of the Contracts (Rights of Third Parties) Act 1999) by any person not identified as the buyer or seller.
- 13.8 The only statements upon which you may rely in making the contract with us, are those made in writing by someone who is our authorised representative and either:
- 13.8.1 contained in our estimate (or any covering letter) and not withdrawn before the contract is made; or
- 13.8.2 which expressly state that you may rely on them when entering into the contract.
- 13.9 Nothing in these terms affects or limits our liability for fraudulent misrepresentation.



*Pumpen Intelligenz.*

WILO (U.K.) LTD  
Second Avenue  
Centrum 100  
Burton-on-Trent  
Staffordshire  
DE14 2WJ

T (01283) 523000  
F (01283) 523099  
sales@wilo.co.uk  
www.wilo.co.uk

Wilo (UK) Ltd is part of the Wilo SE group which is represented in over 70 countries and employs more than 6000 personnel throughout the world generating a turnover of approx 1 billion Euros.

The group was founded in 1872 by Louis Opländer in Germany and has grown to become a truly International company supplying pumping solutions to our customers in all parts of the globe.

Wilo (UK) Ltd offers a wide range of pumps for all applications from small domestic circulators to large commercial pumps. In addition to providing a high quality, energy efficient product range, Wilo (UK) Ltd also provides a comprehensive servicing capability to its ever growing customer base.